

4=1/2 x 1 " FINE THREAD BOLTS

4=1/2 FINE THREAD NUTS

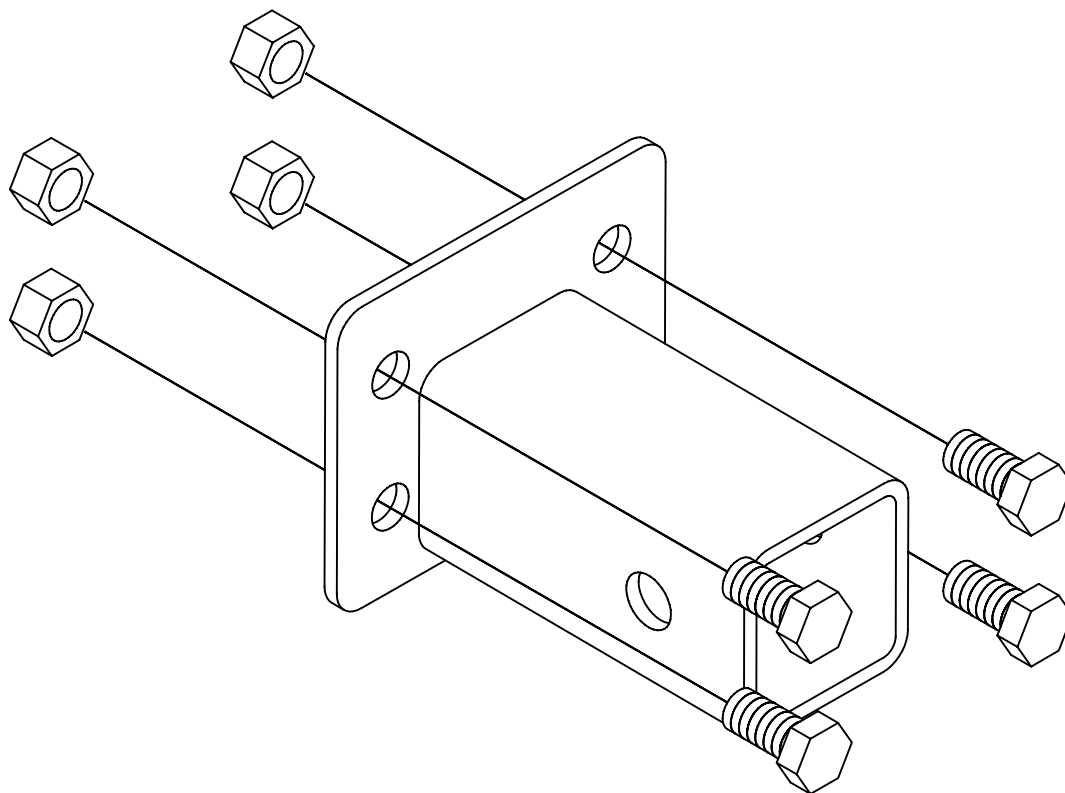


#BORT100

INSTALL ALL FOUR BOLTS IN MOUNT HITCH WITH RECEIVER TUBE OFF-SET TO THE BOTTOM, SLIDE BOLTS THRU HITCH AND GATOR MOUNT AND HOLES AND ATTACH LOCK NUTS BEFORE TIGHTENING THEM. ONCE ALL BOLTS ARE IN PLACE, TIGHTEN THEM IN A CRISS-CROSS PATTERN.

BE CAREFUL, YOUR DUMP BED MAY HIT THE HITCH WHEN THE DUMPING. ALWAYS REMOVE THE BALL MOUNT WHEN DUMPING.

WARNING!!!! DO NOT USE THE 2' BALL MOUNT IN AN ON-ROAD VEHICLE; IT IS NOT DESIGNED TO HANDLE THE LOADS ASSOCIATED WITH ON-ROAD USE. IT SHALL ONLY BE USED WITH THE REAR RECEIVER HITCH FOR THE GATOR.



MANUFACTURED BY SAVANT MFG.