

- 12=1/4 LOCK NUTS-A
- 2=5/16 LOCK NUTS-B
- 2=7/16 LOCK NUTS-C
- 4=1/4 USS WASHERS-D
- 12=1/4 SAE WASHERS-E
- 4=5/16 SAE WASHERS-F
- 4=1/4X1 BOLTS-G
- 4=7/16 SAE WASHERS-H
- 2=7/16X2 1/4 BOLTS-I
- 1=ALUMI. FLAT WASHER WITH TWO SLOTS-J
- 2=5/16X1 1/4 BOLTS-K
- 4=1/4X1 1/16 SQ U-BOLTS-L
- 12=1/4 ROD CAPS-M
- 2=3/16X1 1/4X7/8 ROUND CLIPS-N
- 2=1" PLUGS-O
- 1=GR-BRK1-P
- 2=FGH CLIPS&BRACKETS -Q



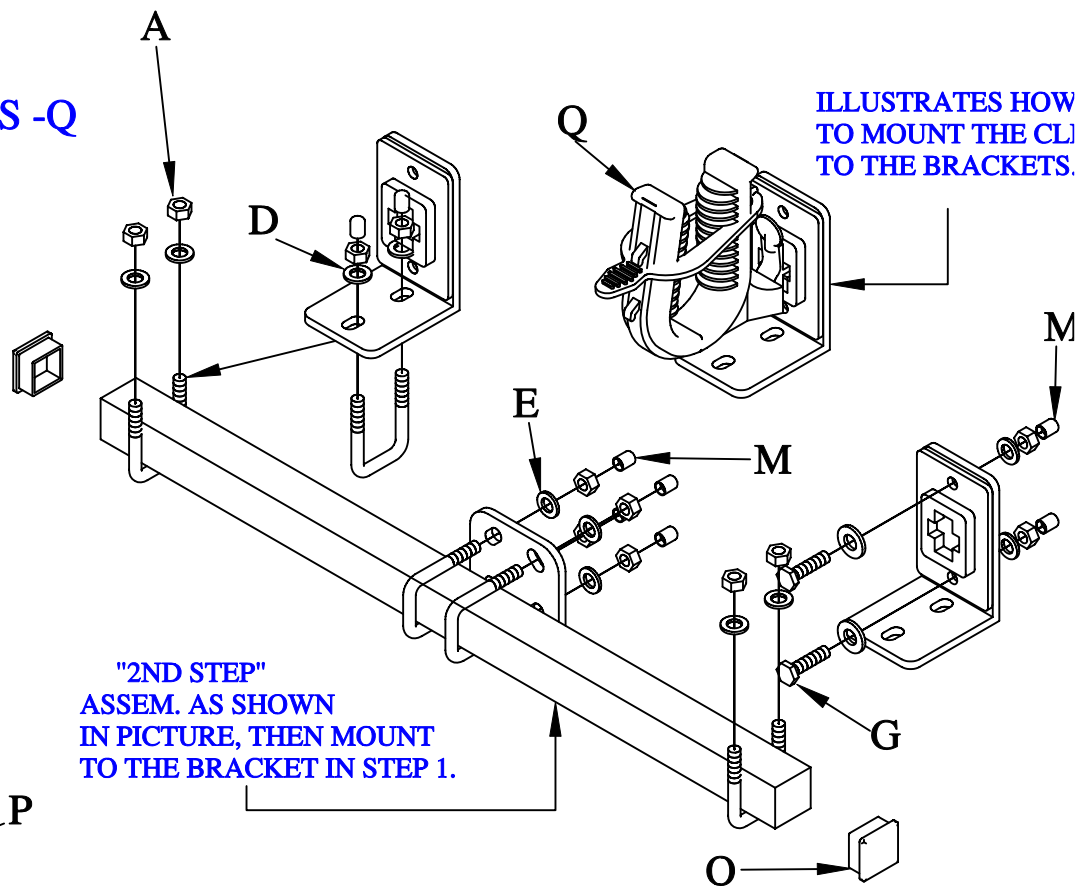
#BR105

DOUBLES AS A GUN RACK&BOW RACK.

FIT ALL MODELS EXCEPT 400,450S 450ES 4X4.
THOSE MODELS WILL USE A #BR106

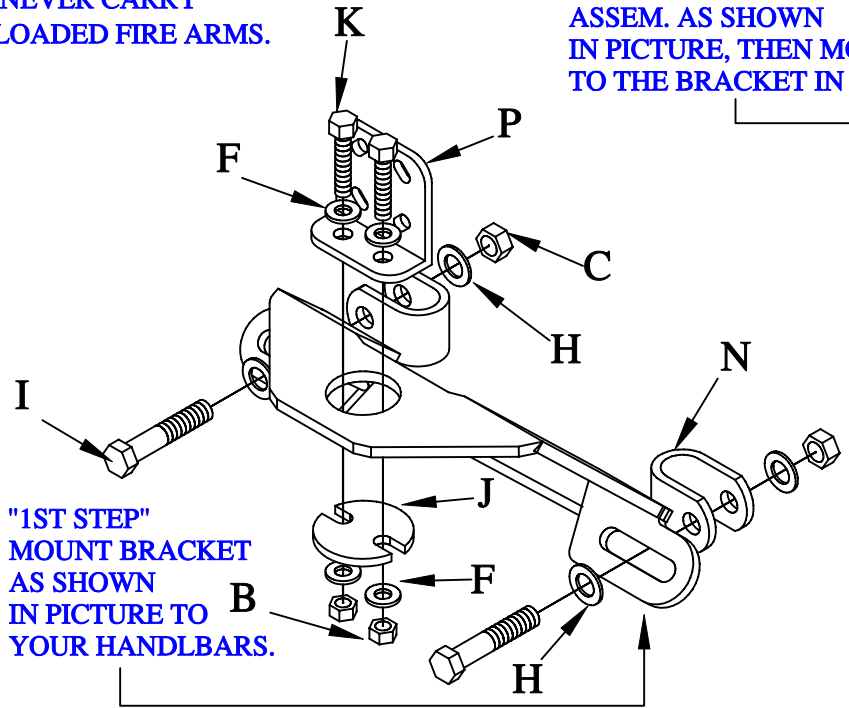
NOT INCLUDED
IN THE HARDWARE
1=1" TUB 19" LONG
2=FGH CLIPS&BRACKETS
1=MAIN FRAME BRK

ILLUSTRATES HOW
TO MOUNT THE CL
TO THE BRACKETS.



"2ND STEP"
ASSEM. AS SHOWN
IN PICTURE, THEN MOUNT
TO THE BRACKET IN STEP 1.

ATTENTION!!
NEVER CARRY
LOADED FIRE ARMS.



"1ST STEP"
MOUNT BRACKET
AS SHOWN
IN PICTURE TO
YOUR HANDLEBARS.

