

6=1/4x1 YELLOW SQUARE

U-BOLT-A

2=7/16 LOCK NUTS-B

4=7/16 SAE WASHERS-C

2=5/16X1 1/4 BOLTS-D

4=5/16 SAE WASHERS-E

2=7/16X2 1/4 BOLTS-F

2=5/16 LOCK NUTS-G

4=1/4 ROD CAPS-H

2=1" PLUGS-I

1= ALUMNI. WASHER-J

2=3/16X1 1/4X7/8 CLIPS-K

1=GR BRACKET L SHAPE-L

2=3/8 CARRIAGE BOLTS-M

2=RUBBER STRAPS-N

2=SOLID RUBBER BLOCKS-O

2=ADJUSTMENT
PLATE(PLASTIC)-P

2=BASE

BRACKETS(PLASTIC)-Q

12=1/4 SAE WASHERS-R

12=1/4 NUTS-S

IN BOX

1=1" TUB. 32" LONG

1= MAIN BRACKET

M

2=3/8 NUTS

THESE ARE
PACKED IN THE
BOX.

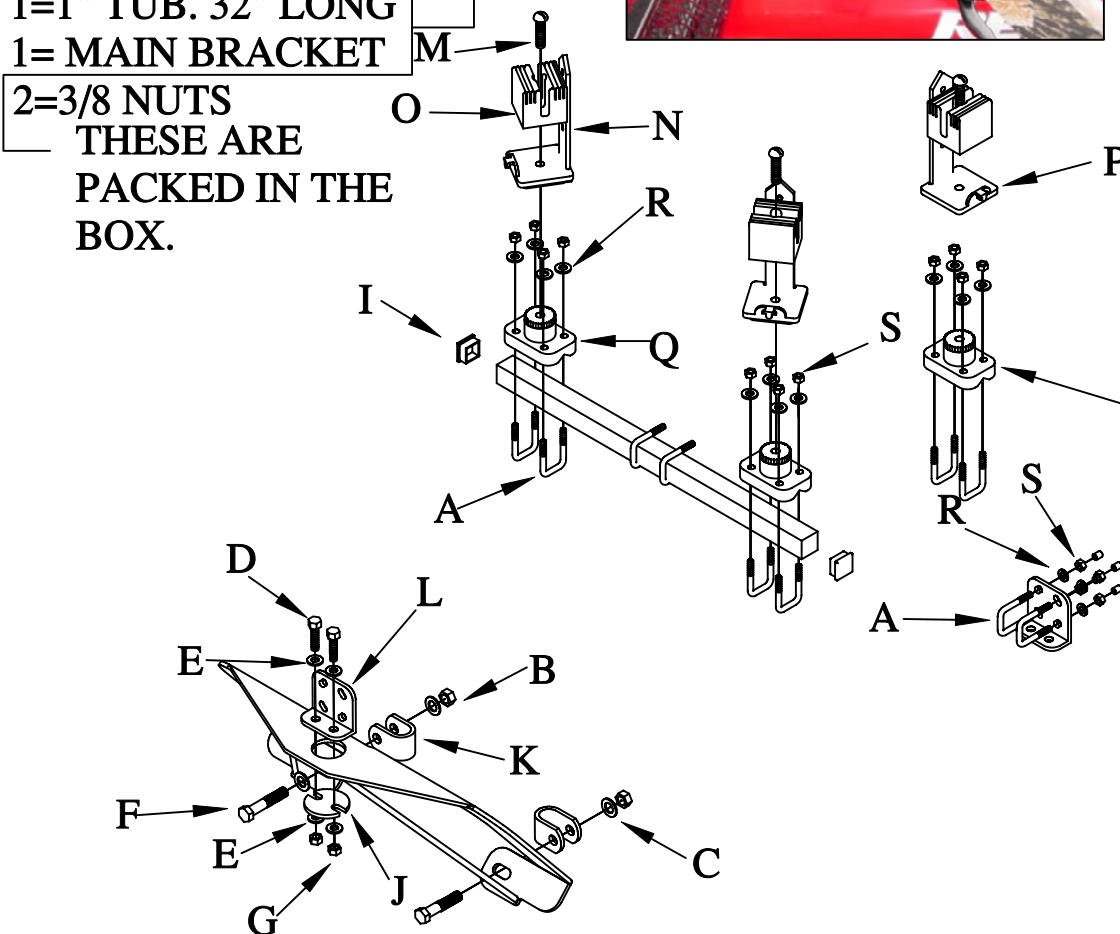


#BR109

BOW RACK FOR HONDA 400
SUZUKI EIGER 400 4X4

PACK HARDWARE IN 6X8
BAG THEN PACK IT INTO
THE 9X12 BAG WITH OTHER
PIECES.

MAKE SURE ALL
PIECES ARE IN A
9X12 BAG.



BE SURE TO INSERT
THE 3/8 NUTS INTO
THE BASE PLATES.