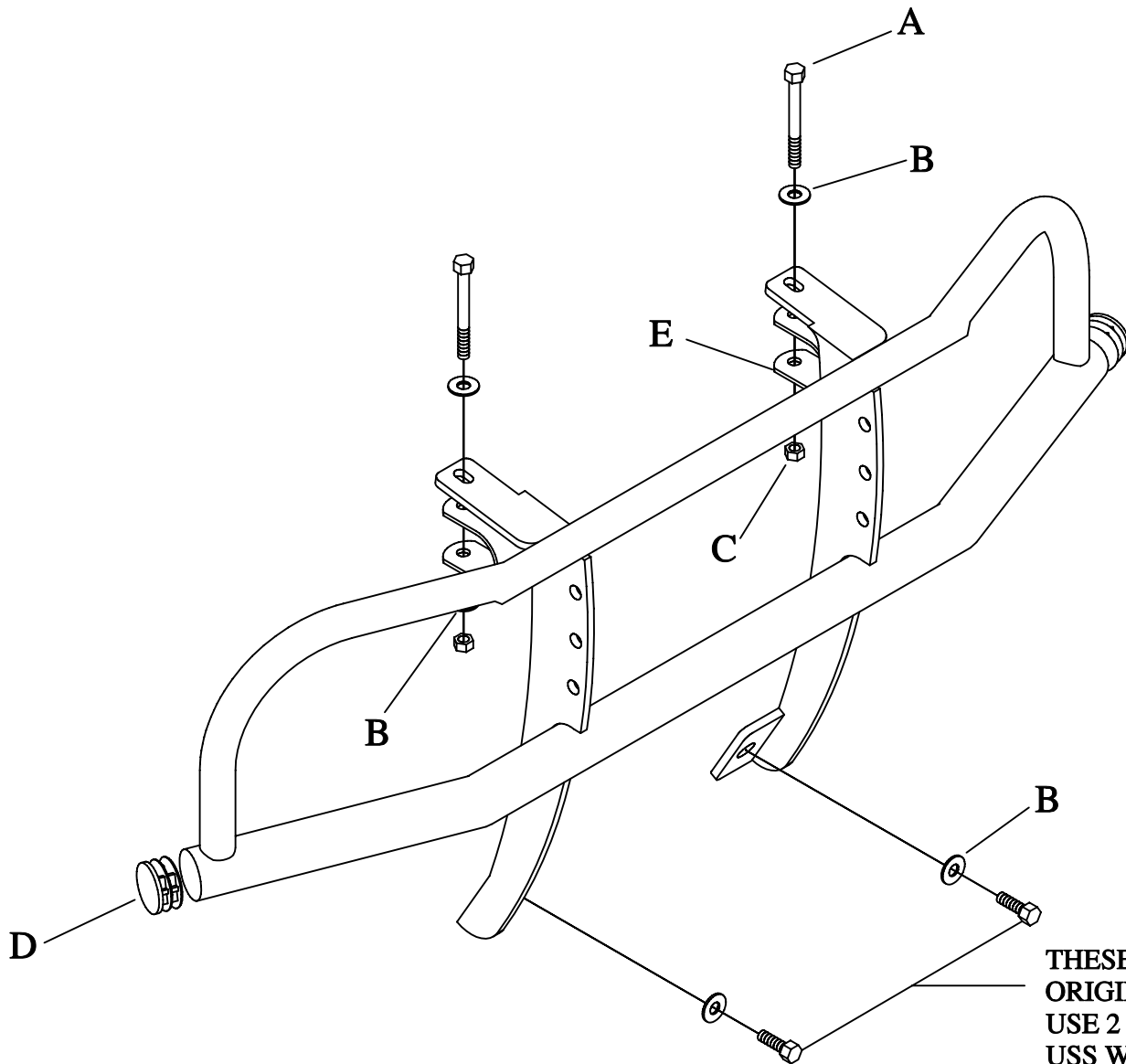


- 2=5/16X3 BOLTS-A
- 6=5/16 USS WASHERS-B
- 2=5/16 LOCK NUTS-C
- 2=1 1/2" PLUGS-D
- 2=1/8X1 1/4X1 1/2 CLIPS-E



#BG-12

HONDA 450S 450ES



THESE ARE YOUR ORIGINAL BOLTS. USE 2 OF THE 5/16 USS WASHERS.