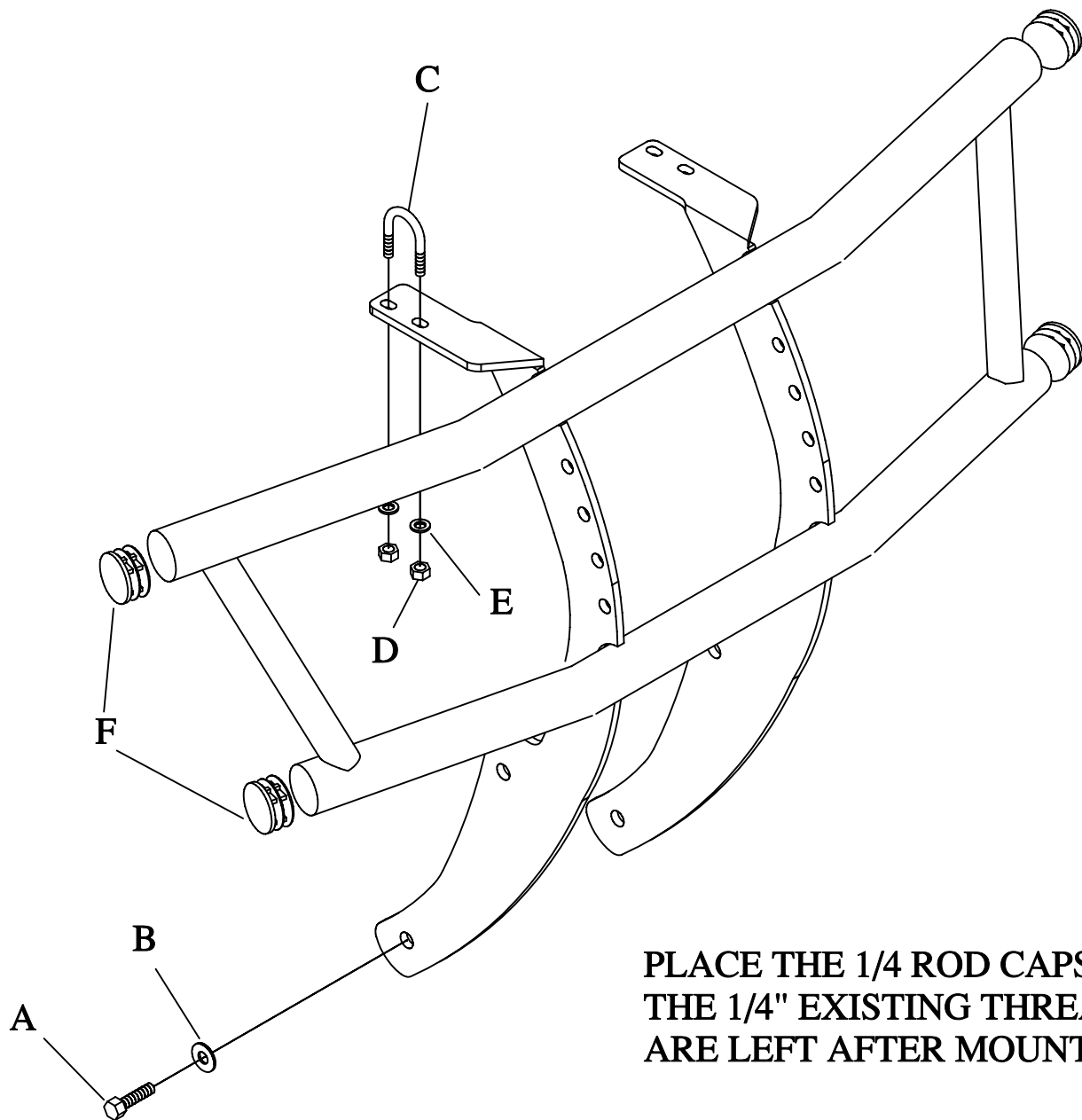


- 4=8MMX1.25X30 BOLTS-A
- 4=5/16 USS WASHERS-B
- 2=1/4 X 1/2" U-BOLTS-C
- 4=1/4 LOCK NUTS-D
- 4=1/4 USS WASHERS-E
- 4=1 1/2" PLUGS-F
- 4=1/4 ROD CAPS-G



#BG-15

FRONT BUMPER FOR 2004 RANCHERS.



PLACE THE 1/4 ROD CAPS ON ALL THE 1/4" EXISTING THREADS THAT ARE LEFT AFTER MOUNTING.