

- 4=5/16 X 1 U-BOLTS-A
- 8=5/16 LOCK NUTS-B
- 8=5/16 USS WASHERS-C
- 4=1 1/2" PLUGS-D

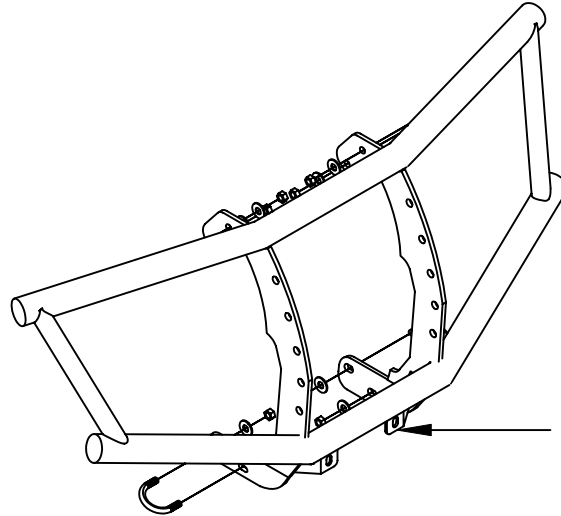


2009 GRIZZLY 450 IRS MUST REMOVE THE TOP PLASTIC SHIELDS ON THE UPPER PART OF THE FRAME TUB.S TO INSTALL THE NEW METAL BUMPER.

# # BG-22W

YAMAHA KODIAK  
450 4X4 2005-2006

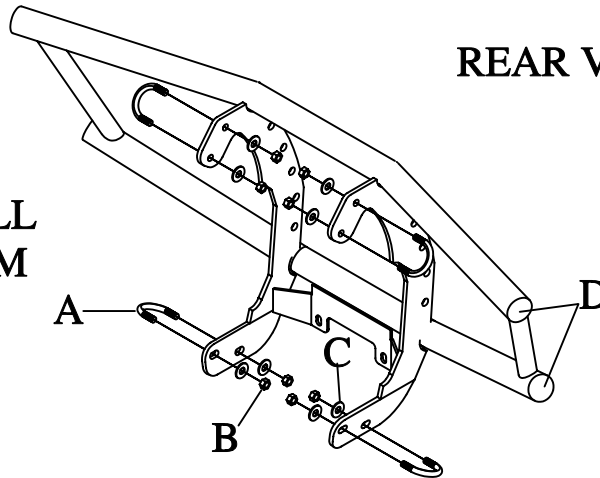
THE U-BOLTS WILL MOUNT TO THE ROUND BARS OF THE ORIGINAL FRONT BUMPER.



FRONT VIEW

IF A WINCH IS INSTALLED THEIR IS A PLATE WELDED HERE TO HOLD THE ROLLER FAIRLEAD.

ON SOME OF THE NEWER MODELS THERE WILL BE PLASTIC GUARDS OVER THESE BARS. MUST REMOVE THESE PLASTIC GUARDS TO INSTALL THE BG-22W. SIMPLY PULL ON THEM FROM THE TOP AND THEY WILL SLIDE OFF THE TUBES.



REAR VIEW

