

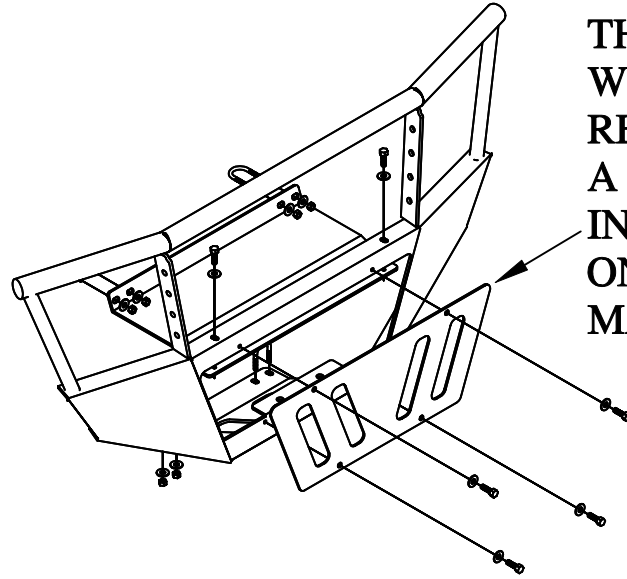
- 8=5/16 LOCK NUTS-A
- 4=5/16 X 3/4 U-BOLTS-B
- 14=5/16 USS WASHERS-C
- 6=5/16 X 1 BOLTS-D
- 2=1 1/2 PLUGS-E



BG-25

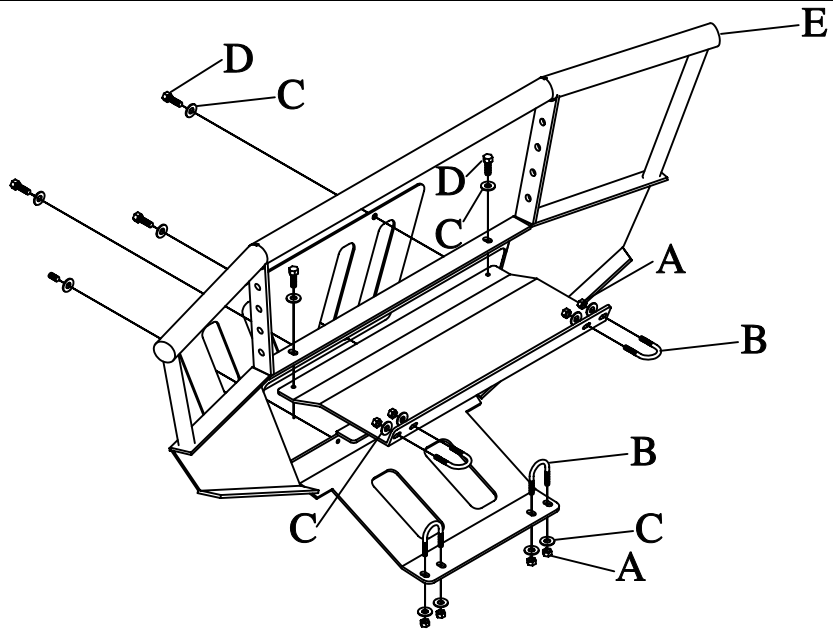
KAWASAKI MULE 610 600 2X4 & 4X4

THIS IS A FRONT VIEW OF THE BUMPER.



THIS PLATE WILL BE REMOVED IF A WINCH IS INSTALLED ON THE MACHINE.

THIS IS A REAR VIEW OF THE BUMPER.



REMOVE THESE SCREWS TO PLACE THE U-BOLTS INTO PLACE.

