

- 12=5/16 LOCK NUTS-A
- 20=5/16 SAE WASHERS-B
- 8=5/16 X 3/4 BOLTS-C
- 8=5/16 ROD CAPS-D
- 4=5/16 X 3/4 U-BOLTS-E
- 4=1 1/2" ROUND BLACK PLUGS-F



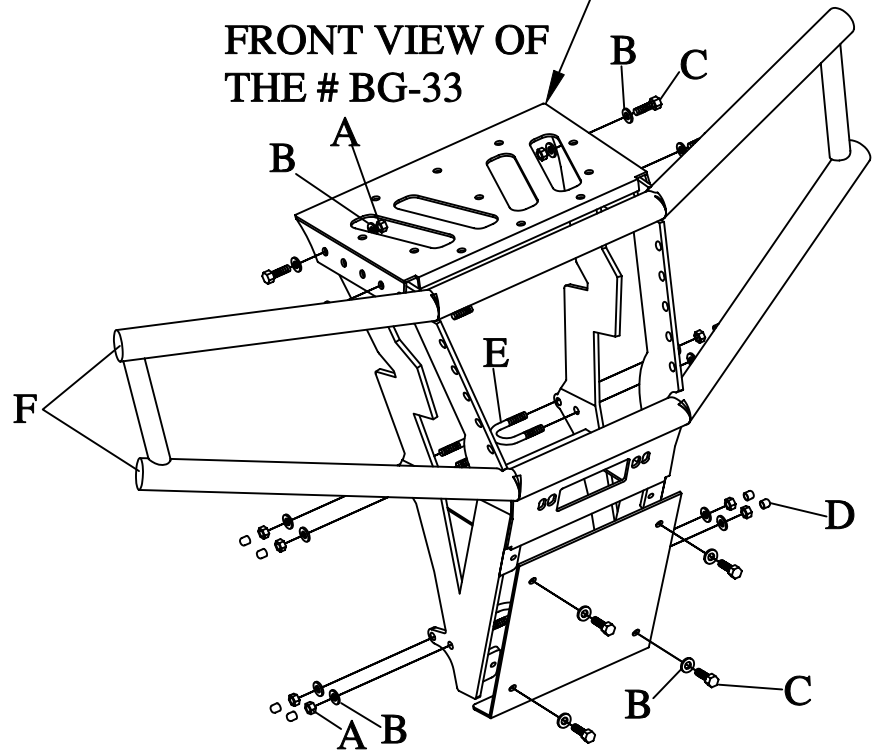
BG-33

RUFF & TUFF
HUNTER EDITION

WHEN PLACING THE TOP PLATE ONTO THE BUMPER THIS WILL BE A TIGHT FIT. SLIDE ONE SIDE DOWN ONTO THE BRACKET AND THEN PULL THE OPPOSITE BRACKET INWARD WITH ONE HAND TOWARD THE OTHER BRACKET AND PUSH DOWN ON THE PLATE WITH OTHER HAND.



FRONT VIEW OF THE # BG-33



MUST OPEN THE LEGS OF ALL THE U-BOLTS. JUST PLACE THE U-BOLT ON A HARD SURFACE AND TAP LIGHTLY WITH A HAMMER AND THE LEGS WILL OPEN. OPEN THEM ENOUGH SO YOU CAN INSERT THEM INTO THE HOLES ON THE BRACKETS.

REAR VIEW OF THE # BG-33

