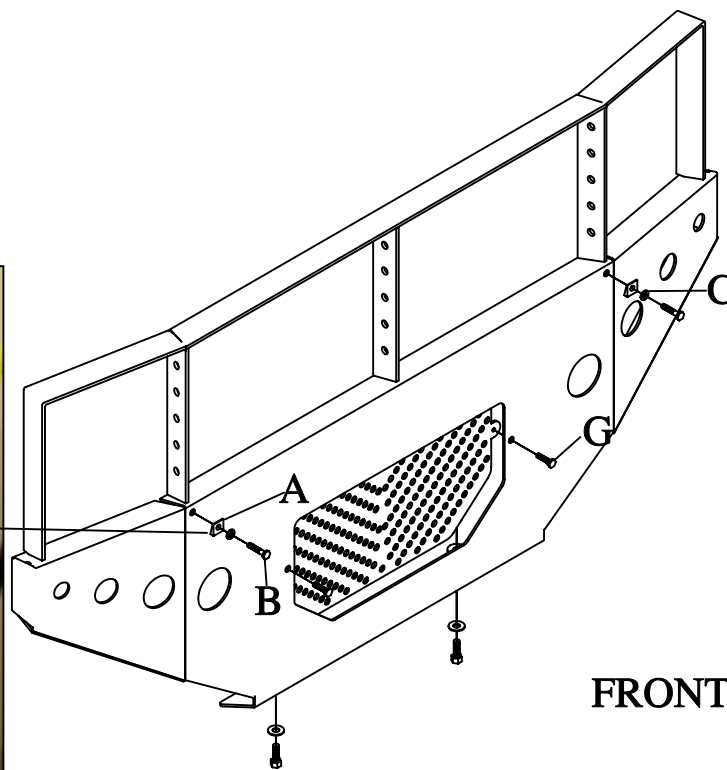
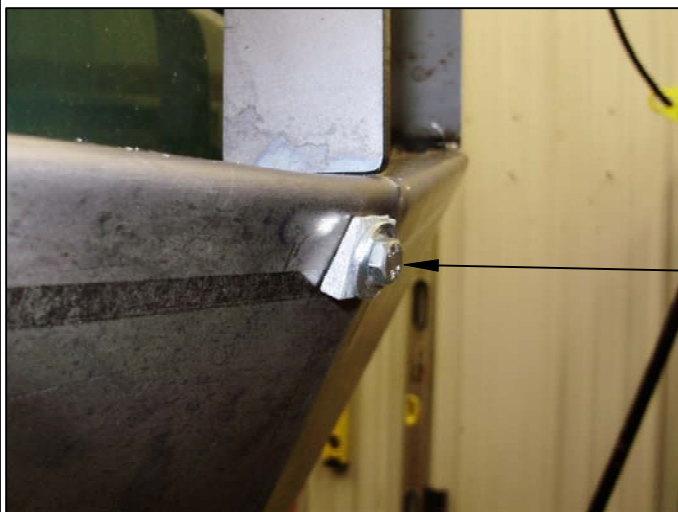


- 2= GALV. SQUARE BEVEL WASHERS-A
- 2=6MM X 40MM X 1.0MM BOLTS-B
- 2=1/4 USS WASHERS-C
- 2=5/16 USS WASHERS-D
- 2=1 X 3/16 ROUND ZINC WASHERS-E
- 2=5/16 X 1 BOLTS-F
- 2=1/4X1 TORX SCREWS-G
- 2=5/16 LOCK NUTS-H

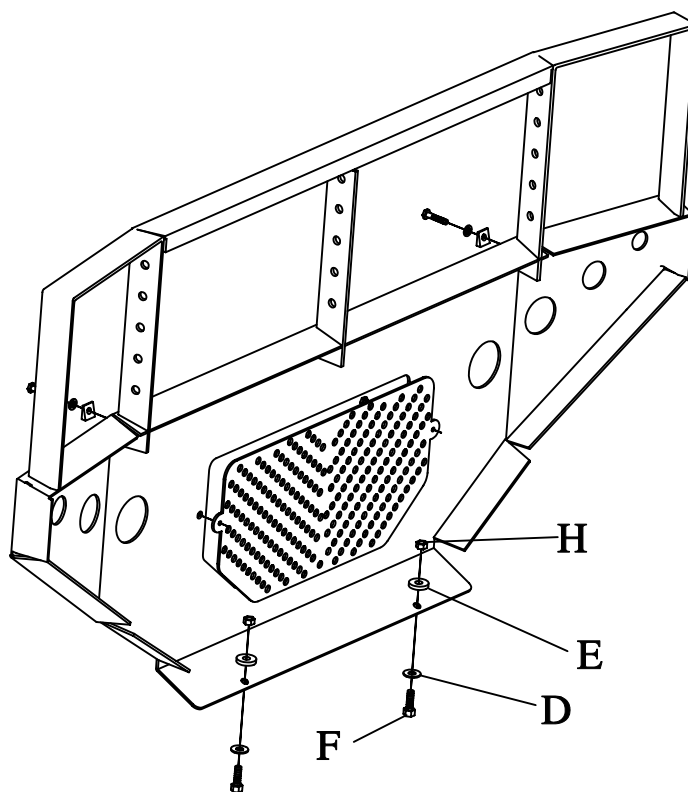


BG-34
KAWASAKI 4000/4010
GAS DIESEL MULES.

MUST REMOVE THE PLASTIC BUMPER GUARD ON THE MACHINE TO INSTALL THE NEW BUMPER.



FRONT VIEW



REAR VIEW