

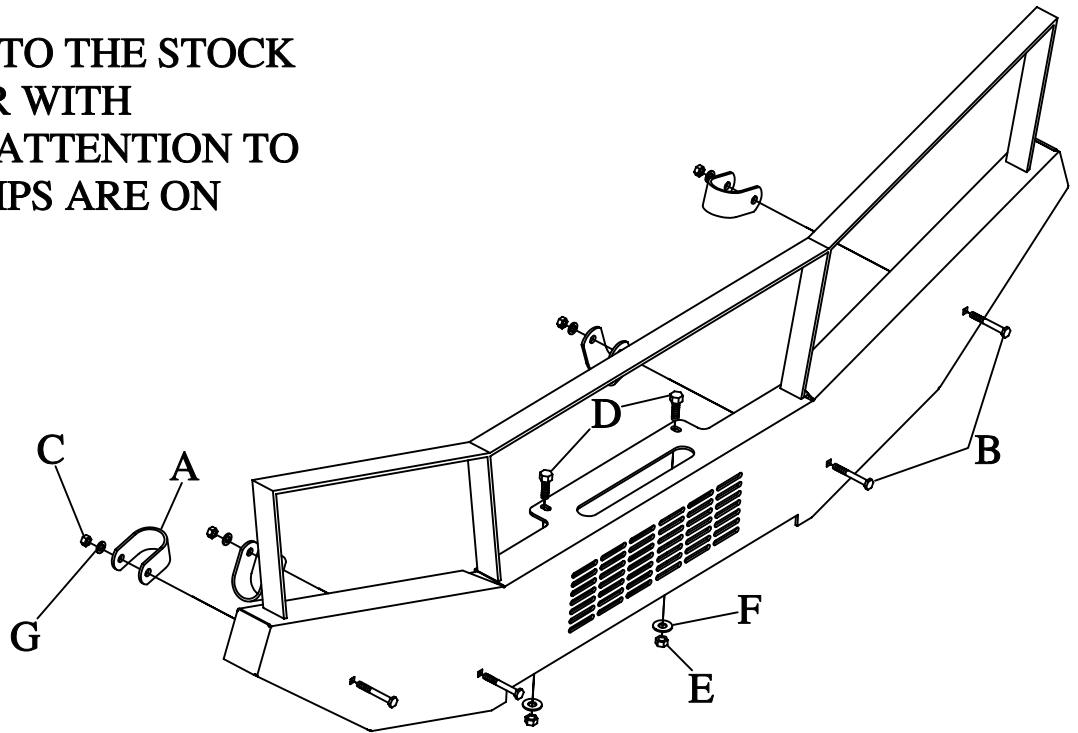
- 4=1/8 X 1 1/4 X 1 1/2 CLIPS-A
- 4=1/4 X 2 1/2 CARRIAGE HEAD BOLTS-B
- BOLTS-B
- 10=1/4 LOCK NUTS-C
- 2=5/16 X 1 CARRIAGE HEAD BOLTS-D
- 2=5/16 LOCK NUTS-E
- 2=5/16 USS WASHERS-F
- 10=1/4 USS WASHERS-G
- 6=1/4 X 1 BUTTON HEAD SCREWS-H



BG-37W

POLARIS RANGER 800 4X4 2010

MOUNT THE BUMPER TO THE STOCK ROUND TUBE BUMPER WITH SUPPLIED CLIPS. PAY ATTENTION TO WHAT ANGLE THE CLIPS ARE ON THE DRAWING.



AFTER MOUNTING THE BUMPER TO THE ROUND TUBE. INSTALL THE CENTER NAME PLATE TO THE BUMPER GUARD AS PIC ILLUSTRATES. THEN PROCEED TO INSTALL THE REAR ALUM. PLATE BEHIND THE NAME PLATE. WHEN A WINCH AND PLATE IS INSTALLED YOU MUST REMOVE THESE PLATES.

