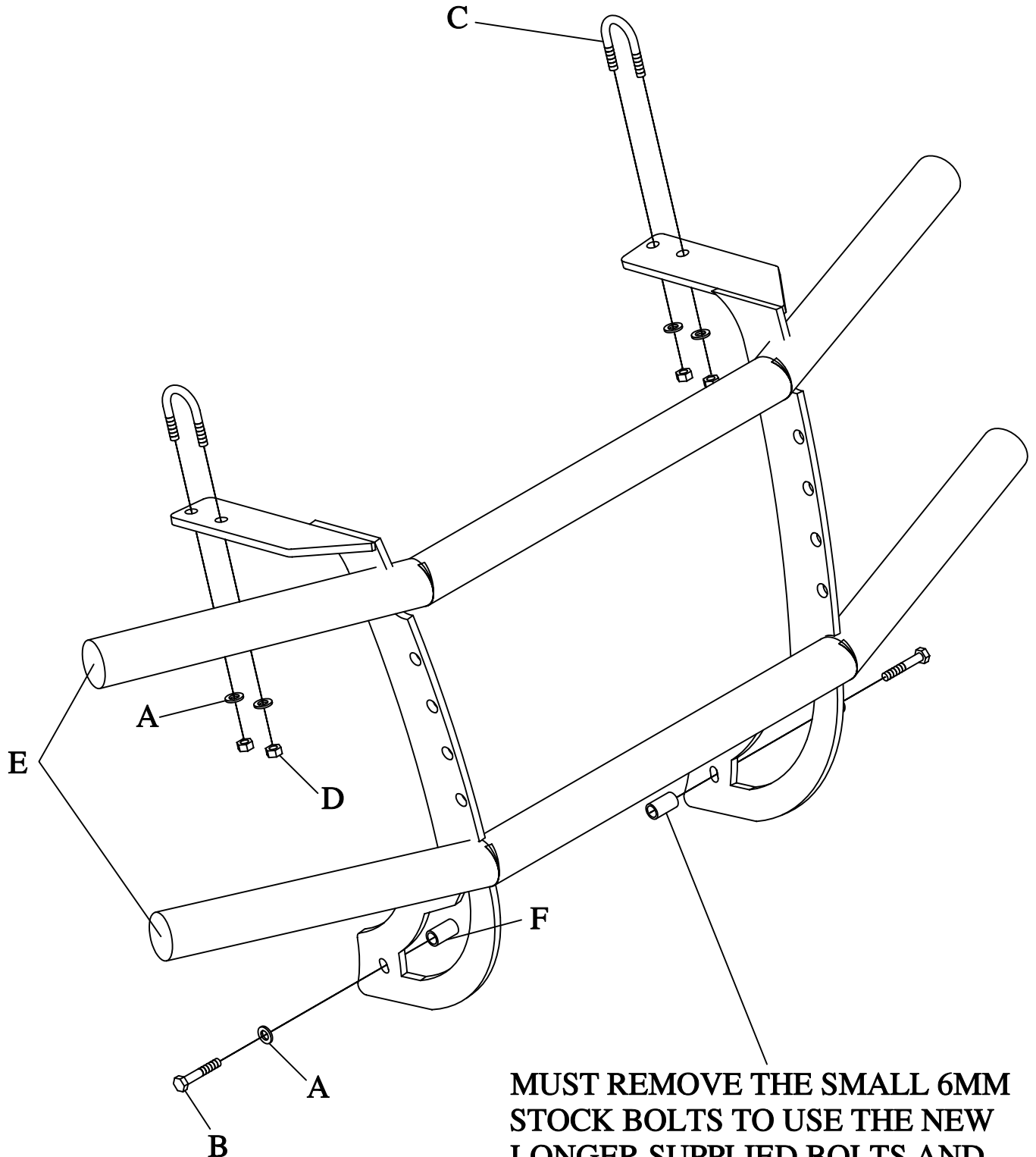


- 6=1/4 USS WASHERS-A
- 2=6MM X 50MM BOLTS-B
- 2=1/4 X 1/2 U BOLTS-C
- 4=1/4 LOCK NUTS-D
- 4=1 1/2 BLACK ROUND PLUGS-E
- 2=7/8" GALV. ROUND SPACERS-F



# # BG-38

HONDA FOREMAN 500 4X4 2012



**MUST REMOVE THE SMALL 6MM STOCK BOLTS TO USE THE NEW LONGER SUPPLIED BOLTS AND SPACERS FOR THE BOTTOM MOUNT.**