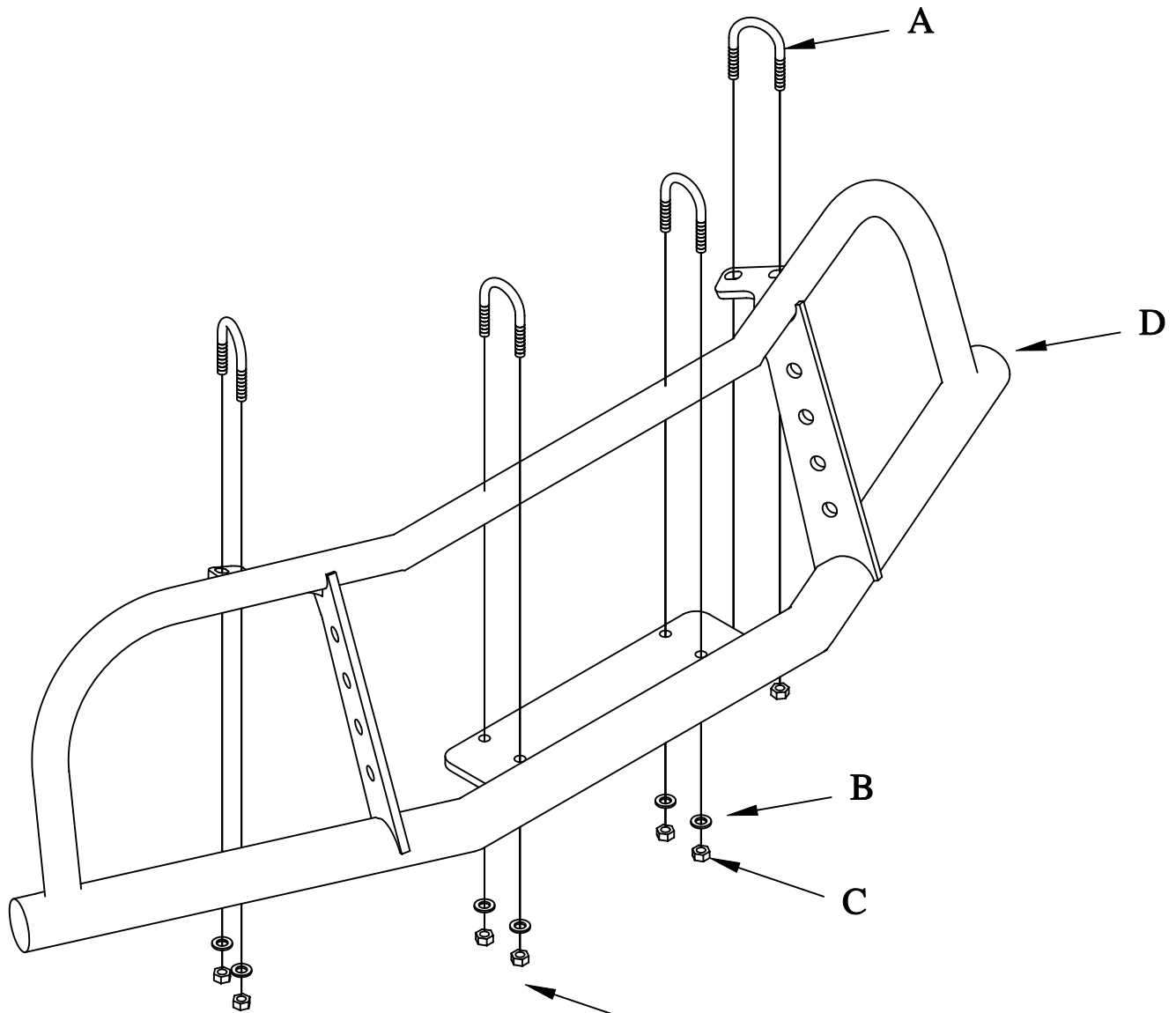


- 4=1/4X3/4 U-BOLTS-A
- 8=1/4 SAE WASHERS-B
- 8=1/4 LOCK NUTS-C
- 2=1 1/2" PLUGS-D
- 8=1/4 ROD CAPS-E



BG-8

KAWASAKI 650 PRAIRIE



E
1/4" ROD CAPS ON
EACH ENDS OF
THREADS.