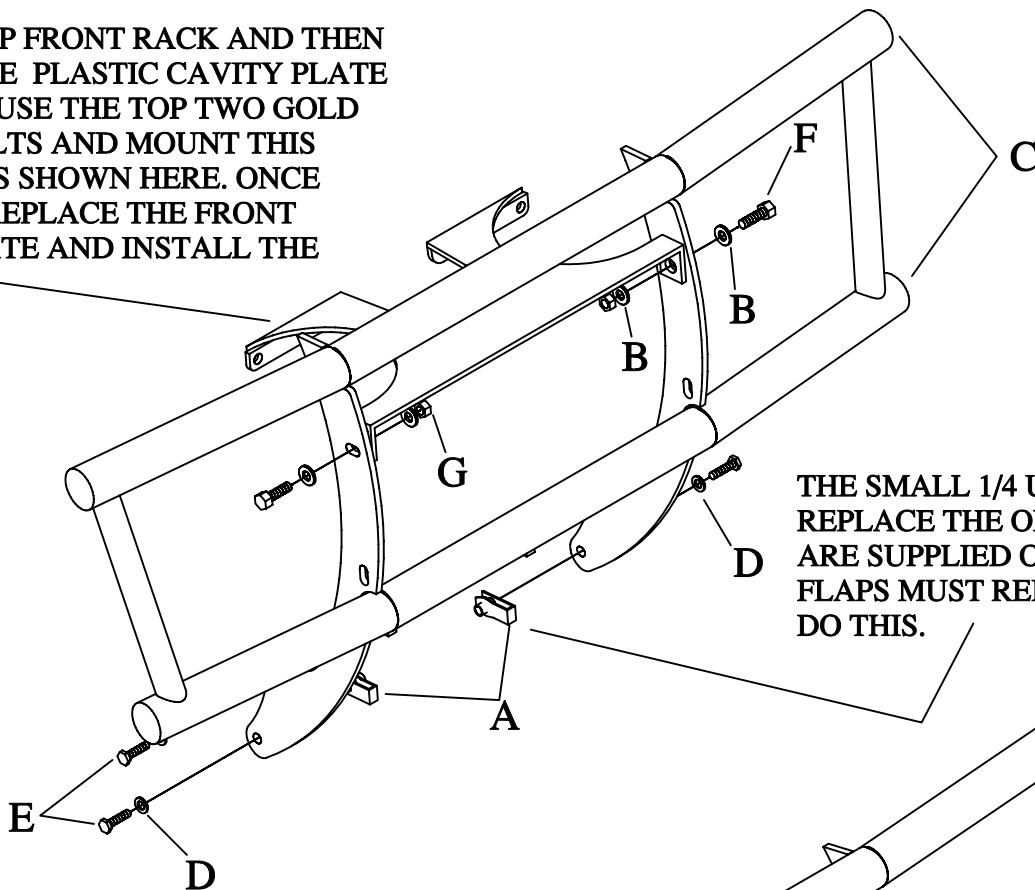


- 4=1/4 U-NUTS-A
- 4=5/16 USS WASHERS-B
- 4=1 1/2" PLUGS-C
- 4=1/4 USS WASHERS-D
- 4=1/4X1 BOLTS-E
- 2=5/16X1 BOLTS-F
- 2=5/16 LOCK NUTS-G

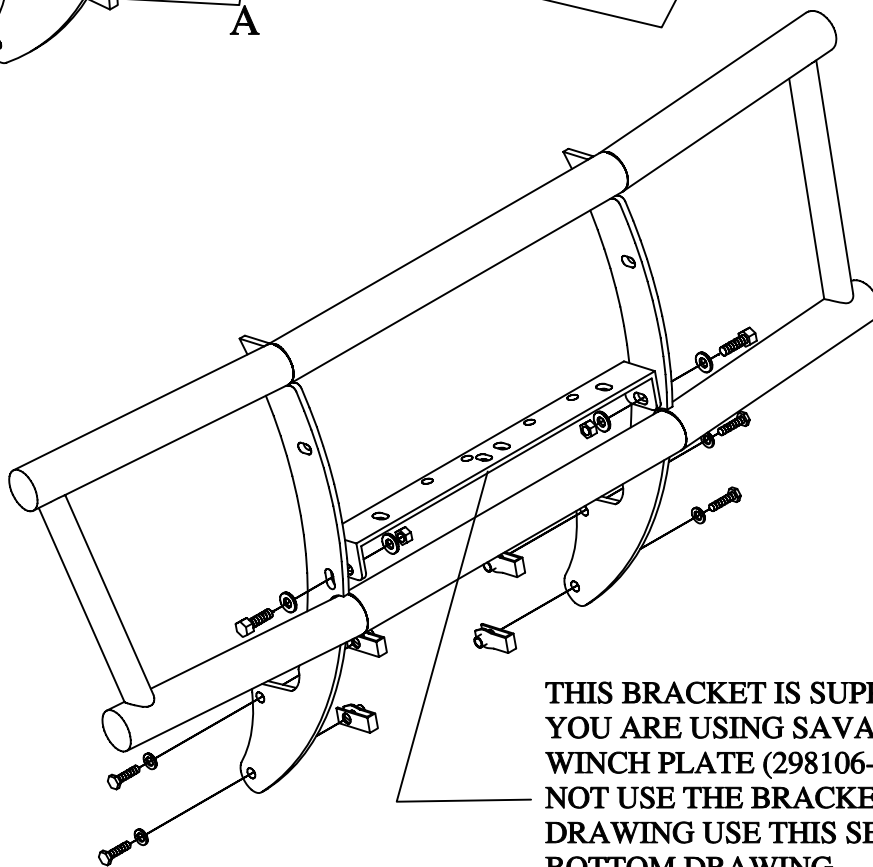


#BG-9

REMOVE TOP FRONT RACK AND THEN REMOVE THE PLASTIC CAVITY PLATE IN BUMPER USE THE TOP TWO GOLD PLATED BOLTS AND MOUNT THIS BRACKET AS SHOWN HERE. ONCE MOUNTED REPLACE THE FRONT CAVITY PLATE AND INSTALL THE BUMPER.



THE SMALL 1/4 U-NUTS WILL REPLACE THE ORIGINAL CLIPS THAT ARE SUPPLIED ON THE RADIATOR FLAPS MUST REMOVE THE FLAPS TO DO THIS.



THIS BRACKET IS SUPPLIED ONLY IF YOU ARE USING SAVANT MFG. 'S WINCH PLATE (298106-R83). IF SO DO NOT USE THE BRACKET IN THE TOP DRAWING USE THIS SET UP IN THE BOTTOM DRAWING.