

2=1/4 GALV. SPACERS 1/2" LONG-A

8=1/4 X 1/2 U-BOLTS-B

24=1/4 USS WASHERS-C

4=5/16 USS WASHERS-D

18=1/4 LOCK NUTS-E

4=8MM X 1.25 X 30MM BOLTS-F

2=6MM X 1 X 40MM BOLTS-G

4=1 1/2 PLUGS-H

2=1/4 X 1 BOLTS-I

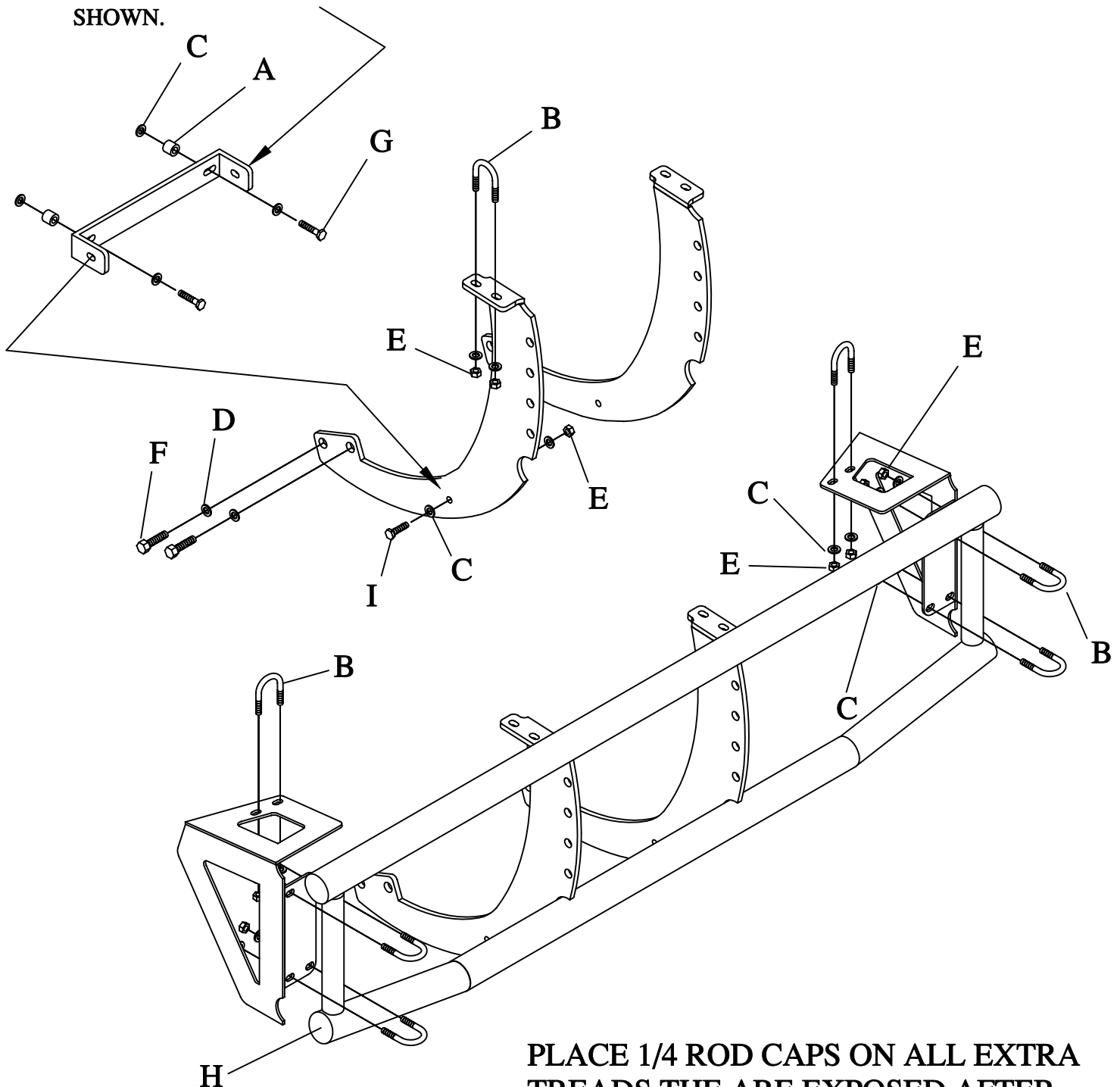
16=1/4 ROD CAPS



#RBG-14

HONDA RINCON REAR BUMPER

THIS BRACKET WILL BOLT BETWEEN THE TWO LONG BRACKETS AS THE PIC. IS SHOWN.



PLACE 1/4 ROD CAPS ON ALL EXTRA TREADS THE ARE EXPOSED AFTER INSTALLING THE WASHERS AND NUTS.