

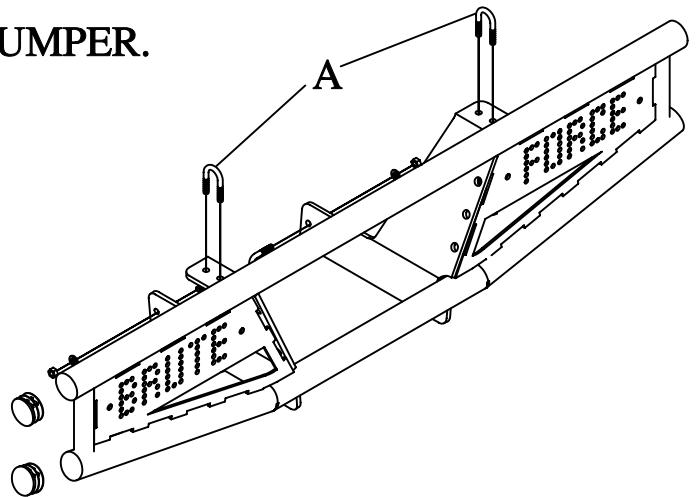
- 2=1/4 X 3/8 U-BOLTS-A
- 2=1/4 X 1/2 U-BOLTS-B
- 8=1/4 USS WASHERS-C
- 12=1/4 LOCK NUTS-D
- 4=1 1/2 BLACK ROUND PLUGS-E
- 4=1/4 X 1 BUTTON HEAD STAINLESS STEEL BOLTS-F



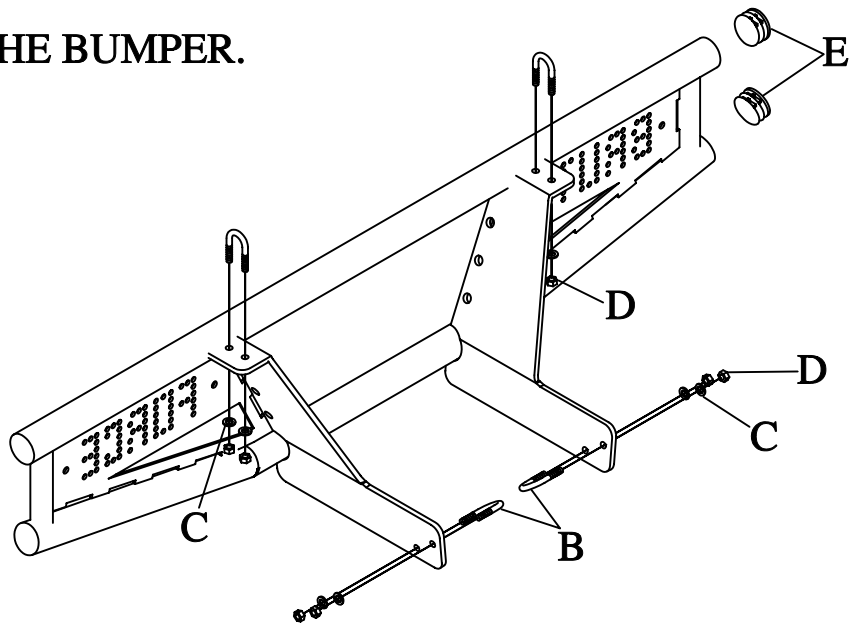
RBG-17

KAWASAKI BRUTE FORCE 750 4X4

THIS IS PIC. OF THE FRONT OF THE BUMPER.



THIS IS PIC. OF THE REAR OF THE BUMPER.



THEIR WILL BE TWO ALUM. PLATES USED TO MOUNT TO THE BACK OF THE INSERTS ON THE BUMPERS. USE THE FOUR STAINLESS SCREWS AND 4 OF THE 1/4 LOCK NUTS TO MOUNT THE PLATES ON EACH SIDE.

