

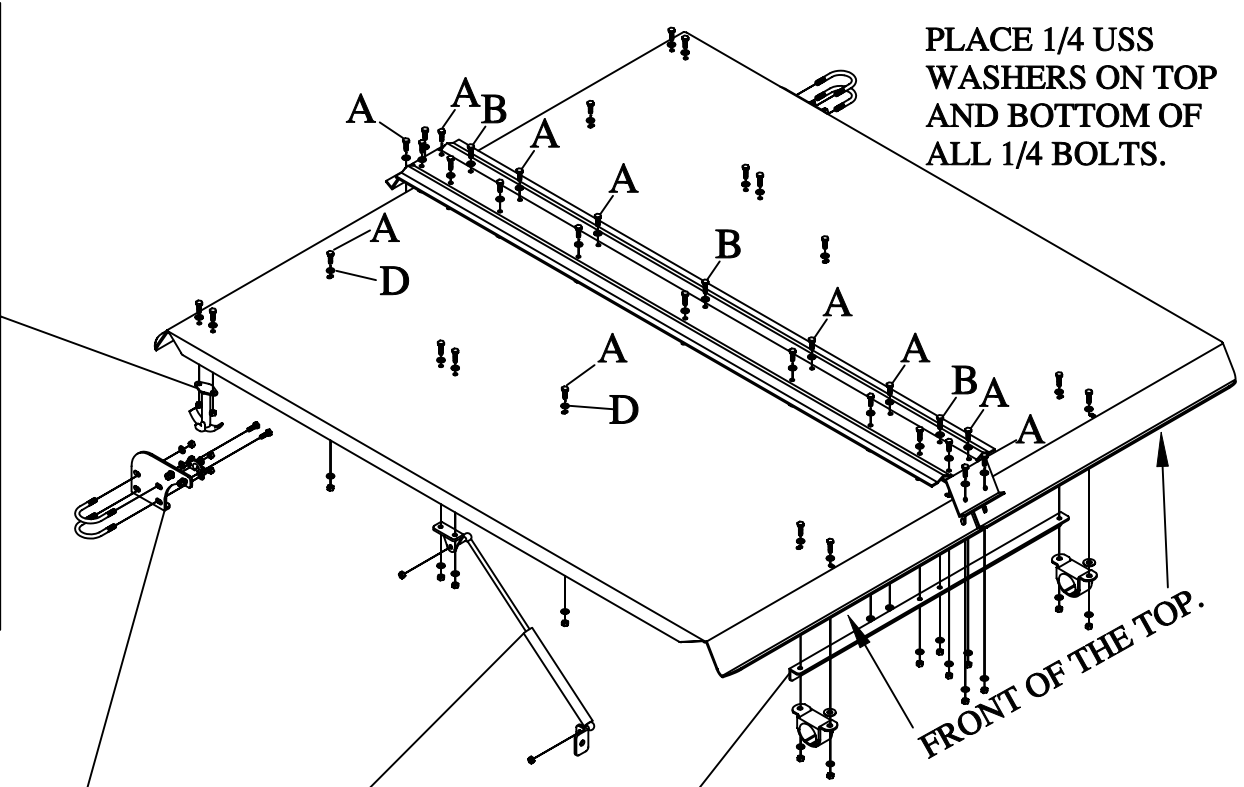
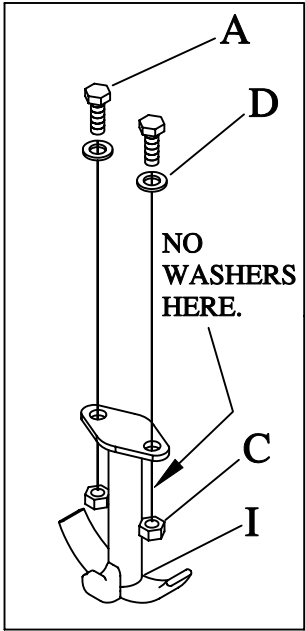
- 28=1/4 X 3/4 BOLTS-A
- 2= 2-HOLES MOUNTING STRAPS-H
- 14=1/4 X 7/8 BOLTS-B
- 2= T HANDLE DRAW LATCHES-I
- 42=1/4 LOCK NUTS-C
- 2= 40LB GAS SHOCKS-J
- 76=1/4 USS WASHERS-D
- 4=5/16 X 1 1/2 U-BOLTS-E
- 10=5/16 USS WASHERS-F
- 12=5/16 LOCK NUTS-G
- 8=5/16 ROD CAPS
- 8=2" TAPE CUT 4 3/4" LONG.
- 2=2" TAPE CUT 68" LONG.
- 2=1" TAPE CUT 9 1/2" LONG.



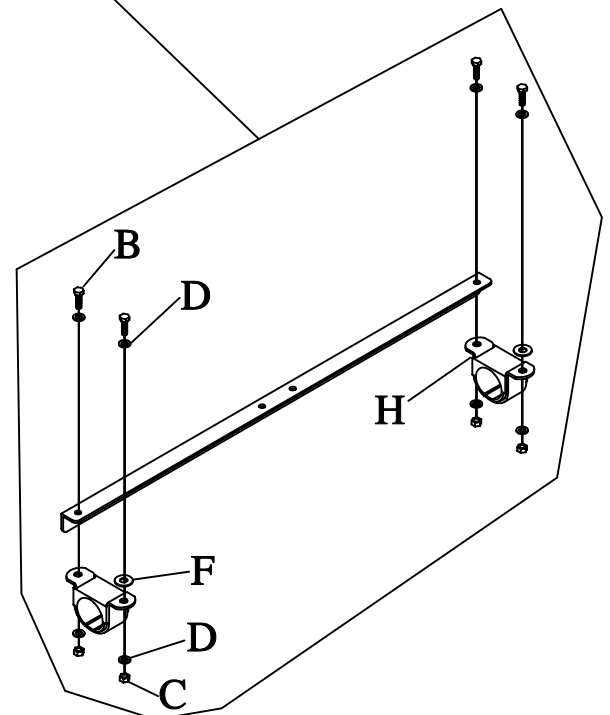
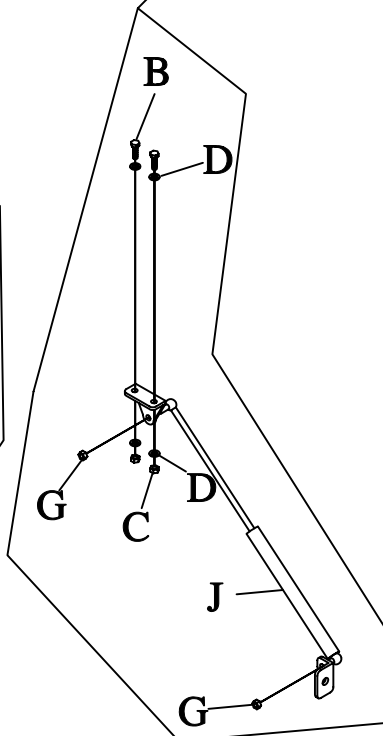
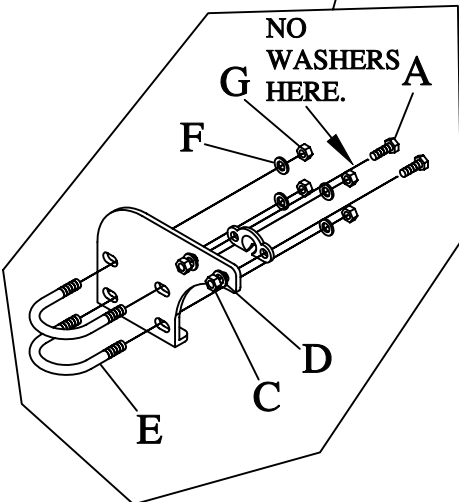
# # CT105

ALUM. CAB TOP FOR KAW.  
MULES 3010 TRANS GAS/DIESLE

PLACE 1/4 USS  
WASHERS ON TOP  
AND BOTTOM OF  
ALL 1/4 BOLTS.

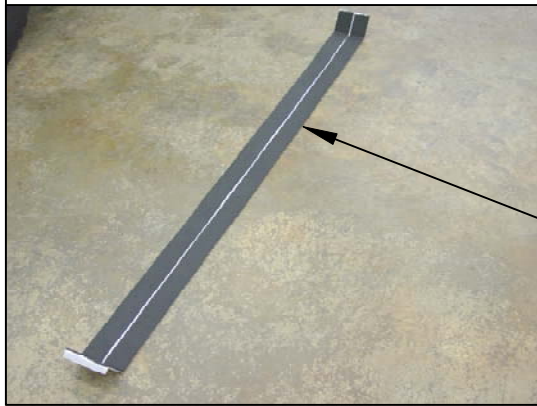


PLACE 5/16 ROD  
CAPS ONTO THE  
EXISTING THREADS  
OF THE U-BOLTS.





**USE THE 1" TAPE THAT IS CUT TO 4 3/4" LONG AND PLACE THEM ON BOTH SIDES OF THE ROLL CAGE ON THESE LOCATIONS.**



**TURN THE CENTER MOUNTING CAP OVER AND PLACE THE 2" ADHESIVE TAPE OVER THE CENTER HOLES OF THE CAP. BE SURE TO CENTER THE TAPE OVER THE HOLES.**



**THERE WILL BE TWO PIECES OF 1" TAPE 9 1/2" LONG THAT WILL BE PLACED ON BOTH SIDES OF THE REAR OF THE ROLL CAGE.**



**THERE WILL BE TWO L SHAPED BRACKETS THAT WILL MOUNT TO THE CENTER TUBES OF THE ROLL CAGES. THEY WILL FACE THE REAR OF THE MACHINE. MUST REMOVE THE LOCK WASHER THAT IS ON THE BOLT.**



**MOUNT THE REAR LATCHING BRACKETS TO THE REAR OF THE MACHINE. THESE WILL MOUNT TO THE REAR ROLL CAGE TUBES. MOUNT ON THE INSIDE OF THE TUBES FACING THE FRONT OF THE MACHINE.**