

STRONG SM MADE™

BY SAVANT MANUFACTURING, INC.

www.savantmfg.com

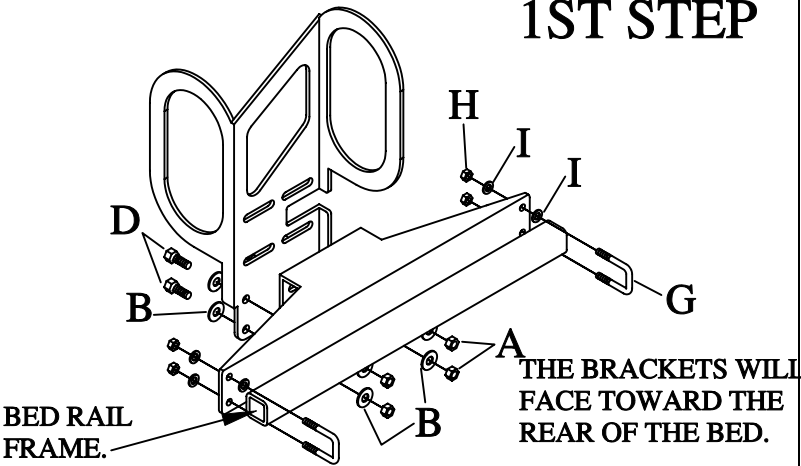
#DBB101

DOUBLE BOOT BRACKET TO MOUNT TO THE JOHN DEERE GATOR'S REAR CARGO BED.

- 10=5/16 LOCK NUTS-A
- 22=5/16 USS WASHERS-B
- 2=5/16 X 1 1/4 BOLTS-C
- 10=5/16 X 1 BOLTS-D
- 2=5/16 X 1 3/8" LOCKING PINS-E
- 2=1100 B7X3/16 TRIM LOCK
- 18 1/2" LONG PC'S.-F
- 2=1/4 X 1 SQ YELLOW U-BOLTS-G
- 4=1/4 LOCK NUTS-H
- 6=1/4 SAE WASHERS-I

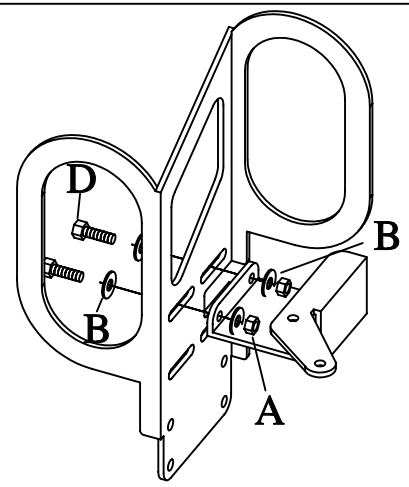


1ST STEP



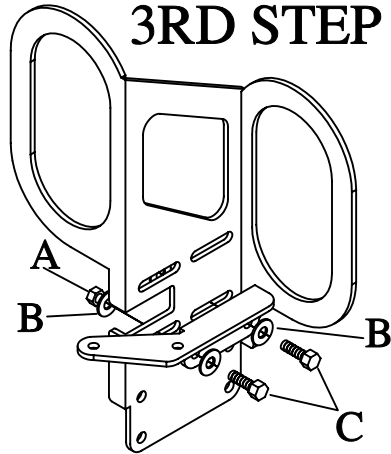
2ND STEP

MOUNT THE FRONT BOOT ADJUSTMENT BRACKET. ONCE THE BOOT IS INSTALLED THIS BRACKET WILL ADJUST FORWARD OR BACKWARD FOR PROPER BOOT FIT INTO THE RING.



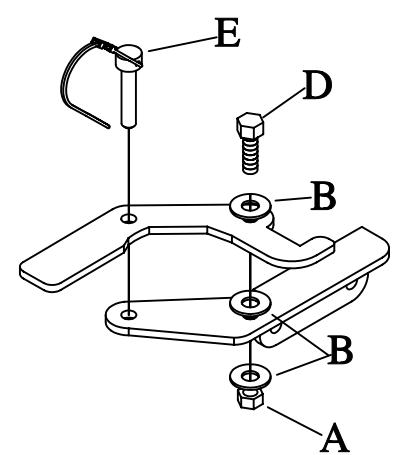
3RD STEP

MOUNT THE REAR BOOT ADJUSTMENT BRACKET. ONCE THE BOOT IS INSTALLED THIS BRACKET WILL ADJUST FORWARD OR BACKWARD FOR PROPER BOOT FIT INTO THE RING.



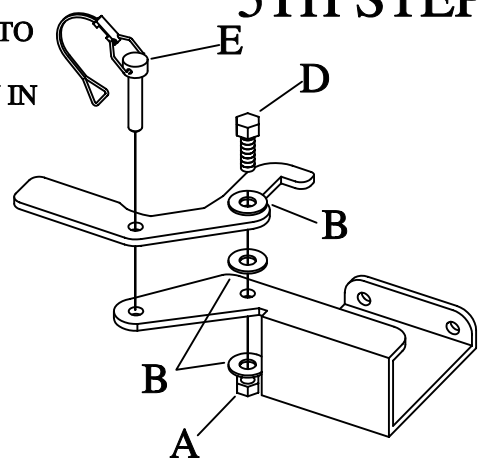
4TH STEP

MOUNT THE LATCH TO THE ADJUSTMENT BRACKET AS SHOWN IN ILLUSTRATION.

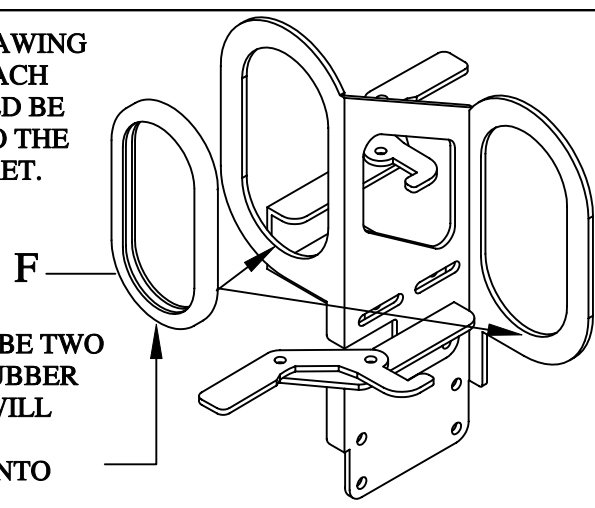


5TH STEP

MOUNT THE LATCH TO THE ADJUSTMENT BRACKET AS SHOWN IN ILLUSTRATION.



THIS IS A DRAWING OF WHERE EACH PIECE SHOULD BE MOUNTED TO THE MAIN BRACKET.



THERE WILL BE TWO PIECES OF RUBBER TRIM THAT WILL HAVE TO BE INSTALLED INTO THE RINGS.