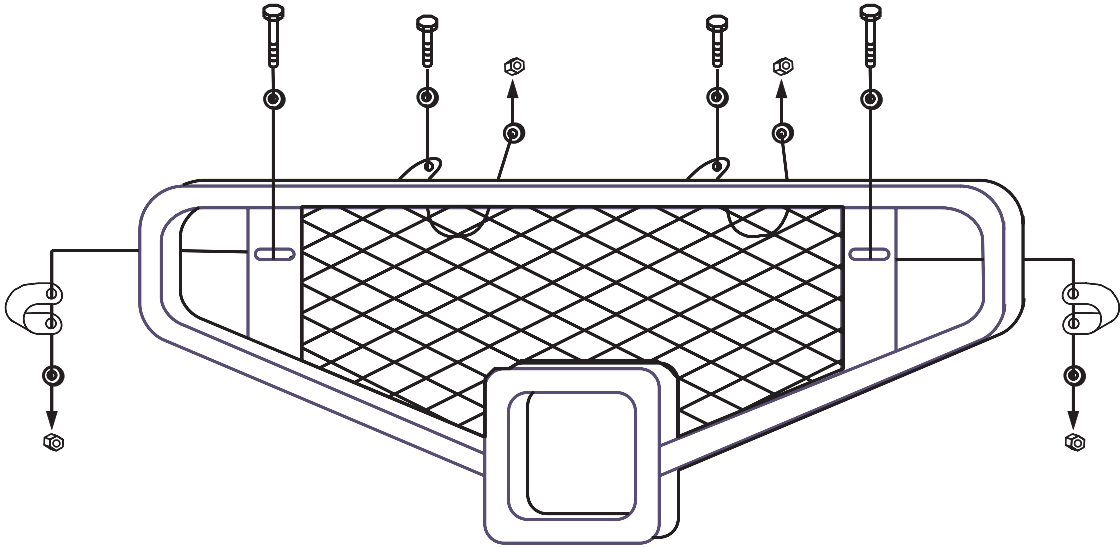


- 4 = 5/16 Lock Nuts
- 8 = 5/16 Small Flat Washers (SAE)
- 2 = 5/16 x 2 Bolts
- 2 = 5/16 x 2 1/4 Bolts
- 2 = 3/16 x 1 x 1 Round Clips

FG 103



This front grill will bolt to the front of the front bumper on the Honda 400 4x4.