

2=3/16x2 1/2x2 1/2 PLATES

(fg 110plates)-A

2=1/4x1 BOLTS-B

2=1/4 LOCK NUTS-C

2=1/4 SAE WASHERS-D

2=7/16x2 1/4 BOLTS-E

2=7/16 SAE WASHERS-F

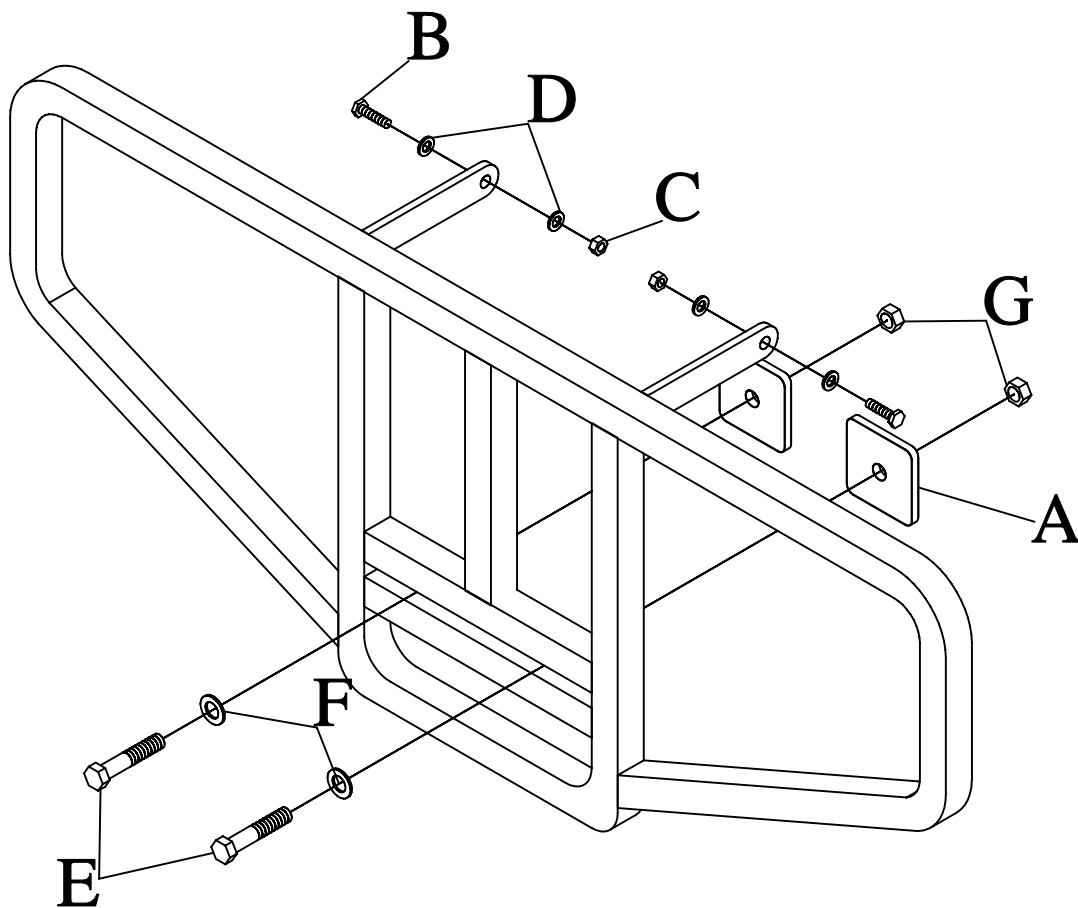
2=7/16 LOCK NUTS -G

SMI SAVANT
MFG., INC.

#FG118

2000, 2001 YAMAHA BIG BEAR 400

THE TOP OF THE FG118 WILL BOLT TO THE FRONT MOUNTING BRACKETS FOR THE RACK.



THE 7/16X2 1/4 BOLTS WILL BOLTS THROUGH THE TOP SLOT IN THE ORIGINAL BUMPER AS SHOWN HERE.