

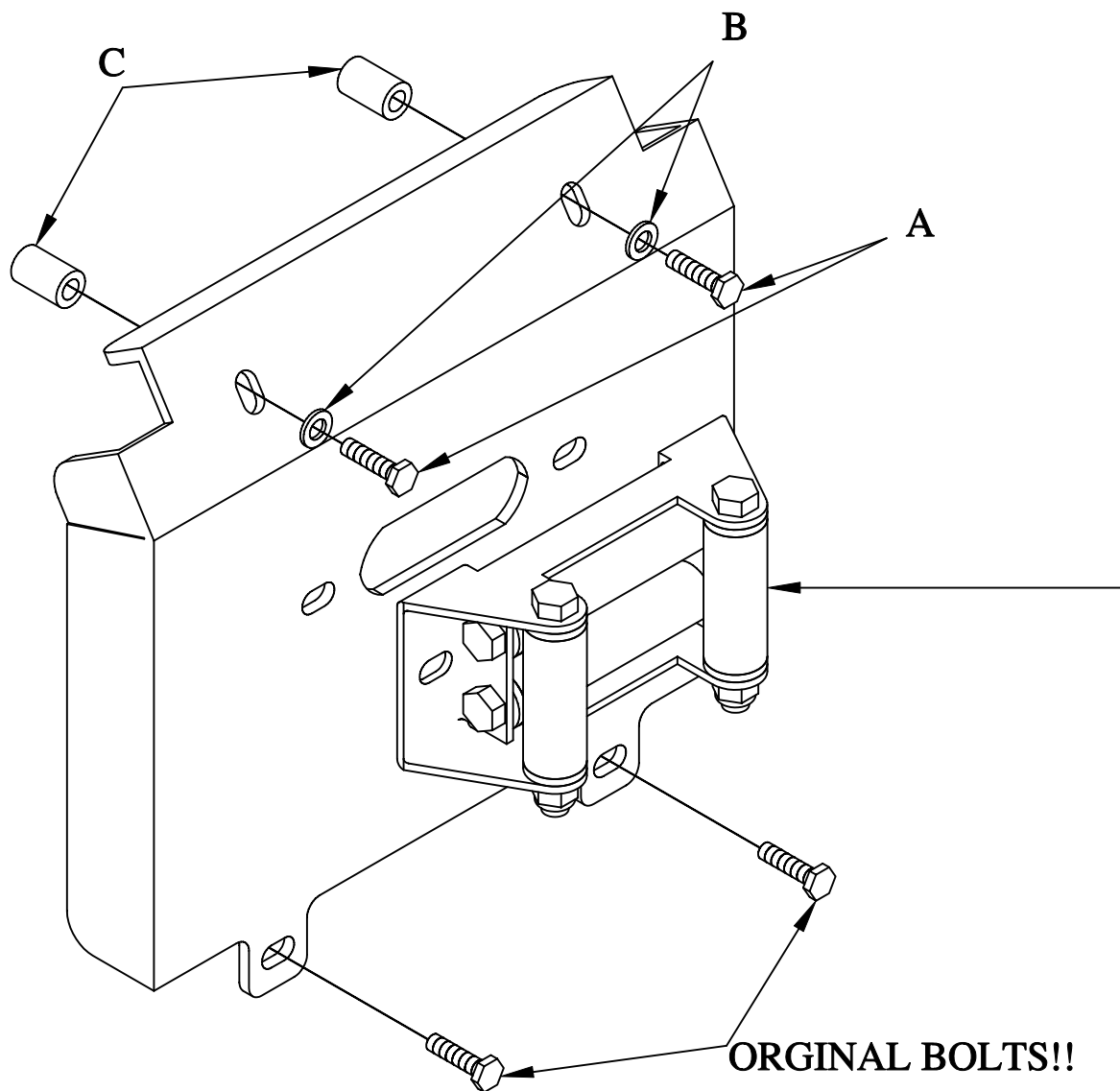
2=6MM X 40MM X 1.25-A
2=1/4 SAE WASHERS-B
2=1/4 SPACERS 7/8 LONG-C

SMI SAVANT
MFG., INC.

FG119-AL

FRONT SKID PLATE FOR HONDA RUBICON 500 4X4

TO INSTALL
THE FG119-AL
YOU MUST
REMOVE THE
PLASTIC
GUARD THAT
IS BOLTED TO
THE BUMPER.
THEN USE THE
SAME
MOUNTING
HOLES TO
BOLT IN.



IF THE BIKE HAS A ROLLER FAIRLEAD BRACKET
ALREADY REMOVE IT . THEN INSTALL THE ROLLER
FAILEAD TO THE FGT119-AL AS SHOWN IN THE PICTURE.
THE RF002 WILL COME WITH ITS OWN HARDWARE.