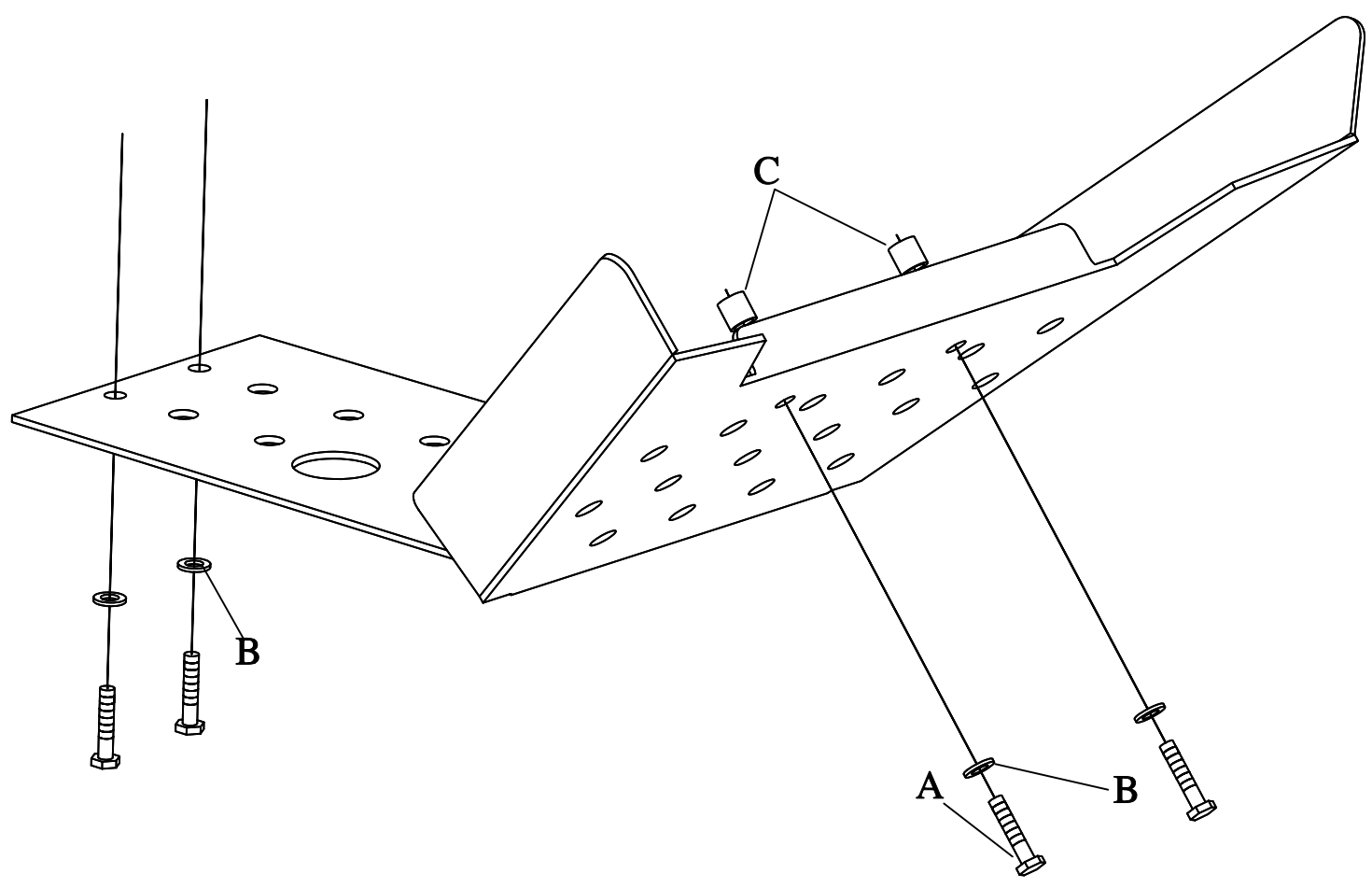


- 4=6MM X 40 X 1.25 BOLTS-A
- 4=1/4 USS WASHERS-B
- 2=1/4 GALV. SPACERS 1/2" LONG-C



#FG125-AL

2008 KAWASAKI BRUTE FORCE 750 4X4



REMOVE FRONT PLASTIC SKID PAN
AND REPLACE IT WITH THIS
ALUMINIUM PLATE.