

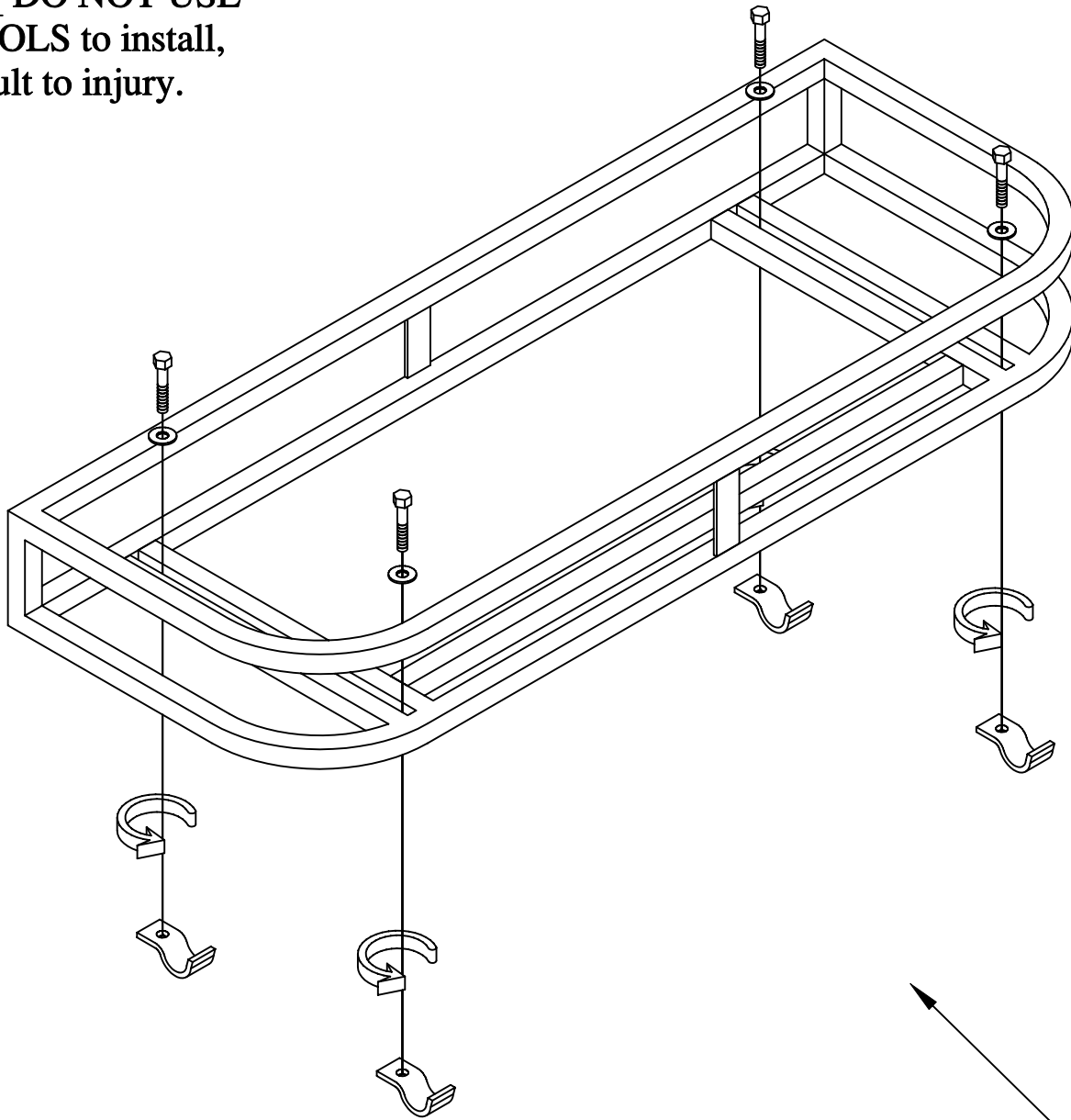
- 4=5/16X1 3/4 BOLTS
- 4=QC100 CLIPS
- 4=3/4 PLUGS
- 4=Gr. 8 (gold) 5/16 USS WASHERS



#230

HONDA 400 450S 450ES

Caution: DO NOT USE AIR TOOLS to install, may result to injury.



THE CLIPS WILL MOUNT EITHER WAY DEPENDING ON THE ORIGINAL RACK DESIGN.

TO REMOVE RACK SIMPLY LOOSEN THE BOLTS THE TURN THE CLIPS THE RACK WILL LIFT OFF THE ORIGINAL RACK LEAVING THE CLIPS ON THE BASKET.