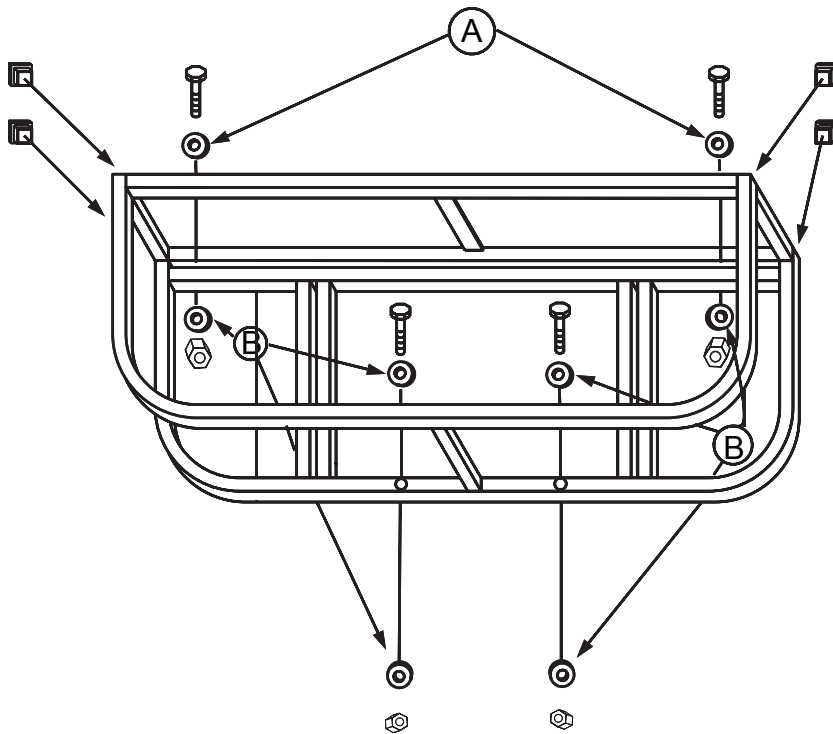


# #233

- 4= 5/16 x 2 1/2 Bolts
- 6= 5/16 Flat Small Washers=B
- 4= 5/16 Lock Nuts
- 4= 3/4 Plugs
- 2= 5/16 Large Flat Washers =A

1999 KAWASAKI PRAIRIE 400  
4X4 AND 300 4X4.



REMOVE THE SMALL HAND  
RAILS THAT COME MOUNTED  
ON THE BIKE AND USE THE  
HOLES IN THE COMPOSITE  
RACK TO RUN THE BOLTS IN.