



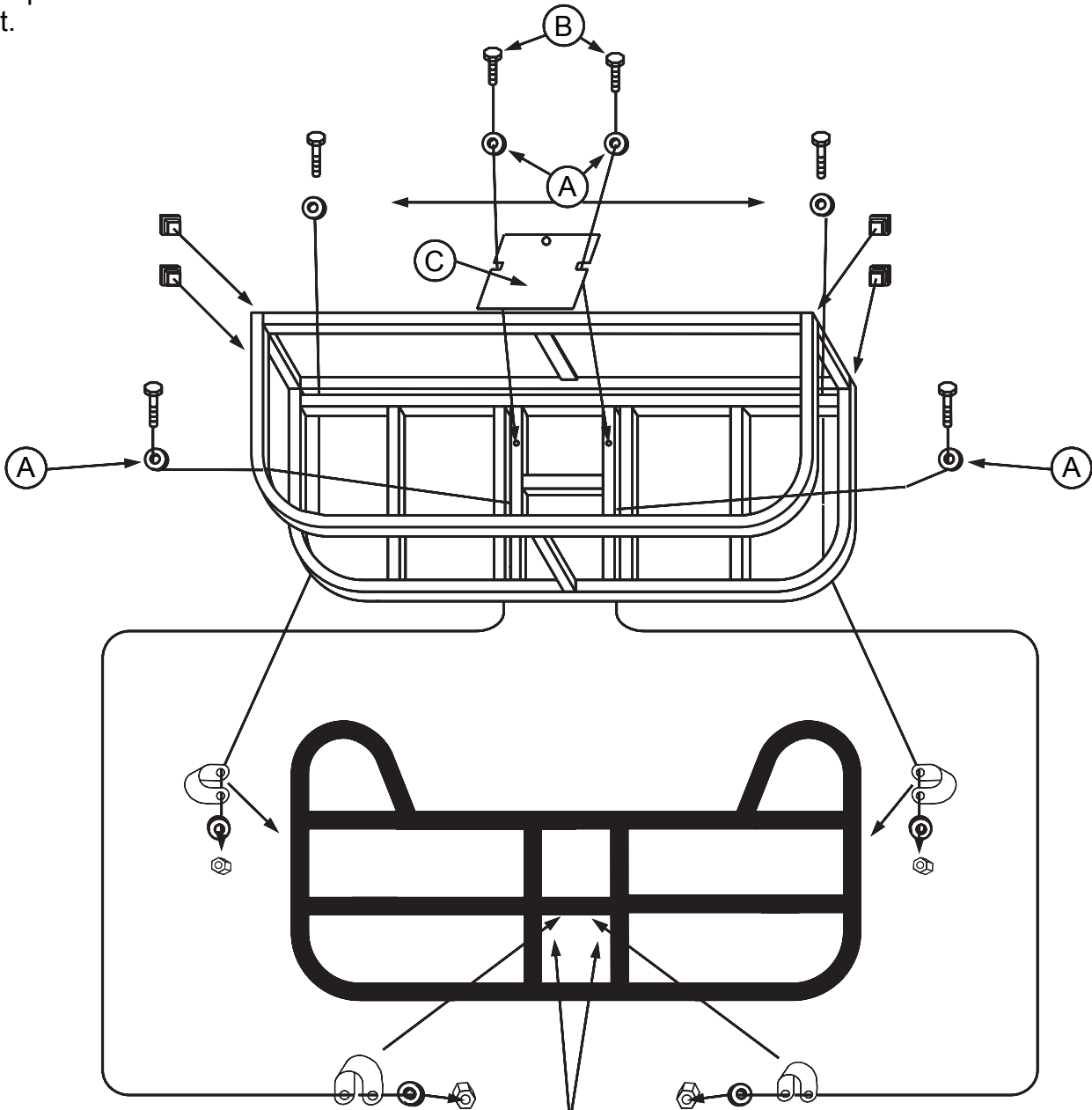
- 4= 5/16 x 2 3/4 Bolts
- 4= 5/16 Flat Small Washers
- 4= 3/16 x 1 x 7/8 Round Clip
- 4= 5/16 Lock Nuts
- 4= 3/4 Plugs
- 4= 5/16 Large Flat Washers =A 2= WASHERS ARE USED TO BOLT THE PLATE TO RACK.
- 1 = 1/8 Plate (228-BO)= C
- 2 = 1/8 X 1 3/4 RCL USED FOR SUZ 500.ONLY

#228

2=5/16 X 1 1/4 BOLTS=A

These bolts are to hold down the (C) plate. These bolt are not packed with the hardware kit.

REFER TO PRICE LIST FOR MODELS THAT THIS RACK



THIS IS FOR THE ARTIC CAT 500 4X4 STD-AUTO ONLY