

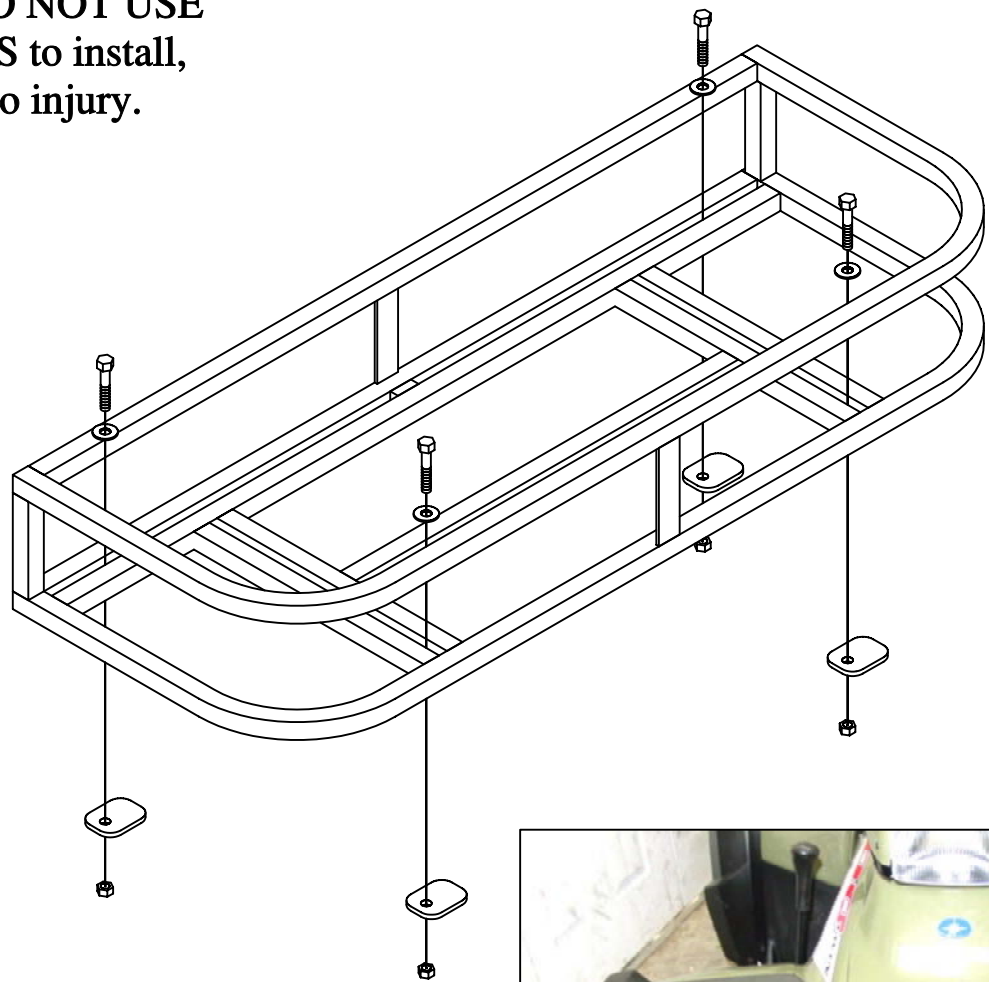
- 4=5/16X2 1/4" BOLTS
- 4=529 FLAT WASHERS
- 4=5/16 LOCK NUTS
- 4=Gr. 8 (gold) 5/16 USS WASHERS
- 4=3/4" PLUGS



#236

2004 POLARIS 700

Caution: DO NOT USE AIR TOOLS to install, may result to injury.



**BOLTS WILL RUN THROUGH THESE HOLES
FLAT PLATES AND 5/16
LOCK NUTS WILL MOUNT
UNDER THE COMPOSITE
RACK.**

