



- 4=5/16 X 1 1/2" BOLTS-A
- 6=5/16 LOCK NUTS-B
- 14=5/16 USS WASHERS-C
- 4=1/4 X 1/2 U-BOLTS-D
- 2=5/16 X 1 BLACK ROUND KNOBS-E

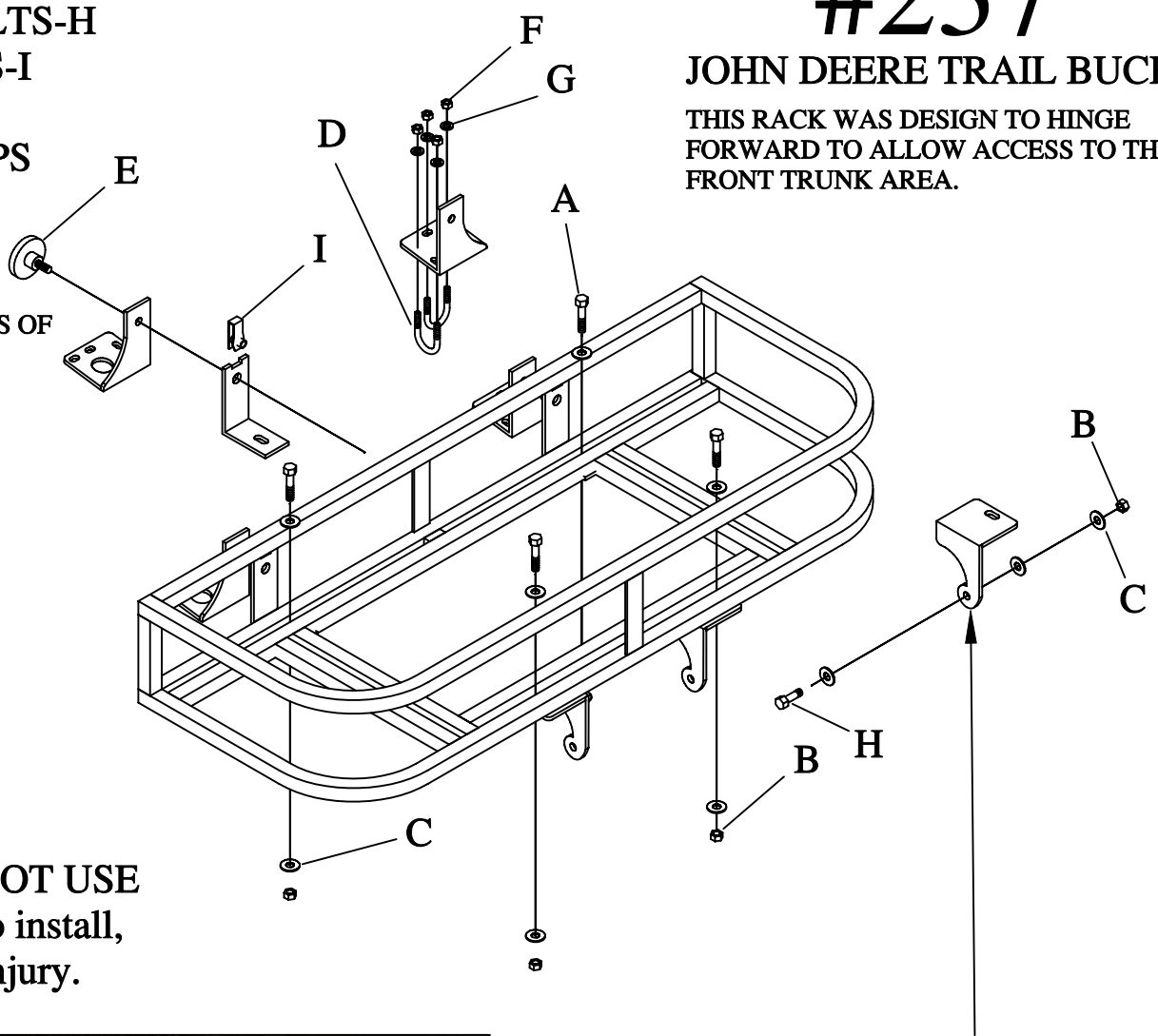
- 8=1/4 LOCK NUTS-F
- 8=1/4 SAE WASHERS-G
- 2=5/16 X 1 BOLTS-H
- 2=5/16 U-NUTS-I
- 4=3/4" PLUGS
- 8=1/4 ROD CAPS

#237

JOHN DEERE TRAIL BUCK 500

THIS RACK WAS DESIGN TO HINGE FORWARD TO ALLOW ACCESS TO THE FRONT TRUNK AREA.

PLACE ON THE ENDS OF THE 1/4X1/2 U-BOLT THREADS AFTER INSTALLING THE BRACKETS.



Caution: DO NOT USE AIR TOOLS to install, may result to injury.

