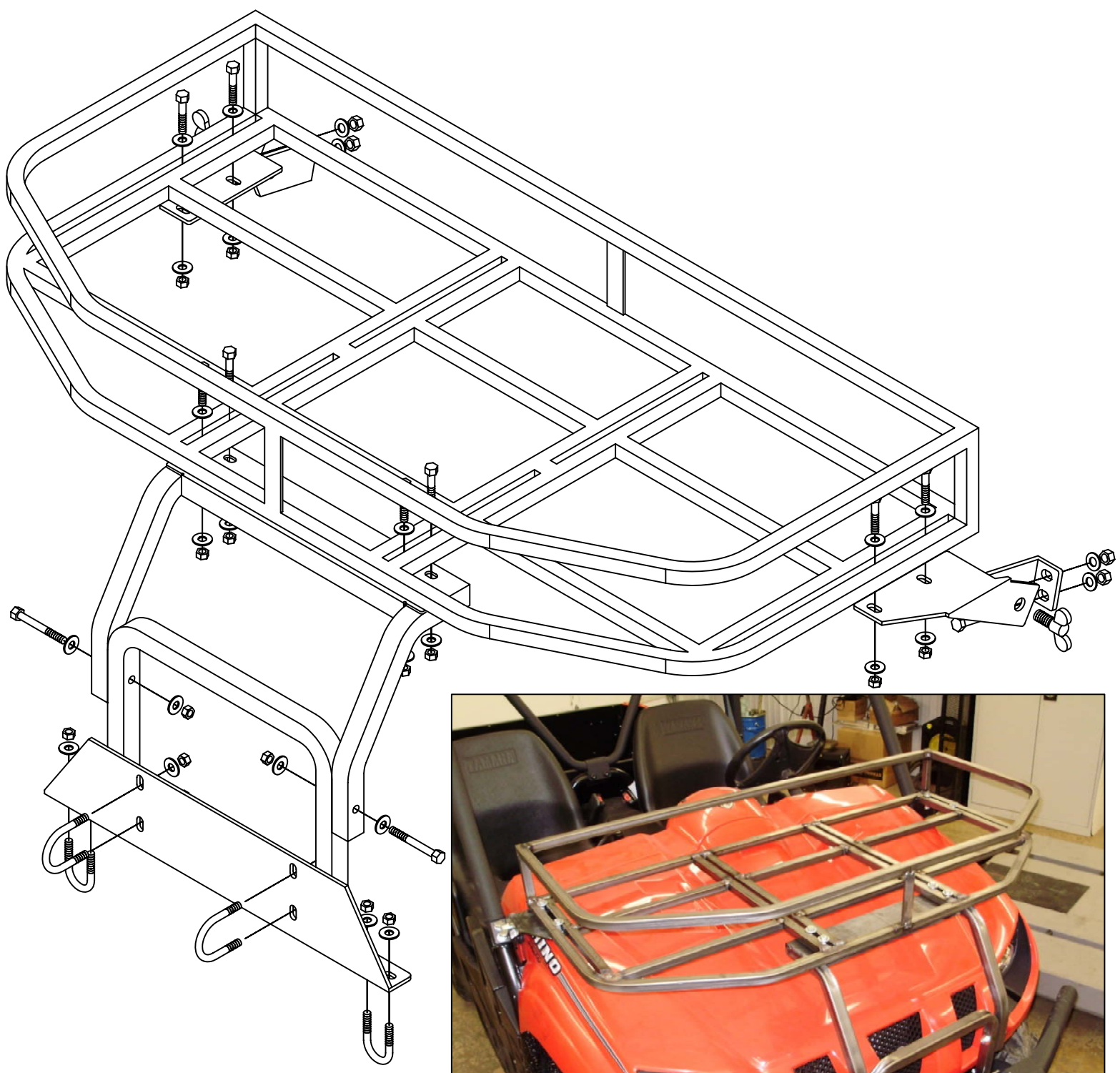


- 8=5/16 X 1 3/4" BOLTS-A
- 2=5/16 X 2 3/4" BOLTS-B
- 28=5/16 USS WASHERS-C
- 18=5/16 LOCK NUTS-D
- 4=3/8 X 2 1/2 BOLTS-E
- 4=3/8 LOCK NUTS-F
- 8=3/8 SAE WASHERS-G
- 2=1/2" WING BOLTS-H
- 4=3/4 PLUGS-I
- 2=1" PLUGS-J
- 2=5/16 X 1/2 U-BOLTS-K
- 2=5/16 X 1 1/2" U-BOLTS-L
- 2=5/16 SAE WASHERS-M

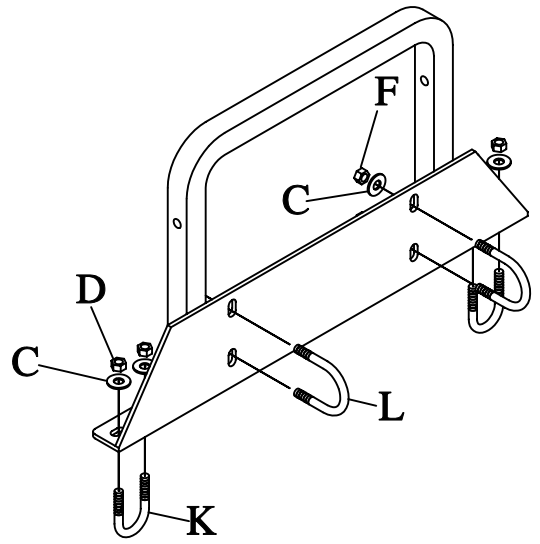


# # 241

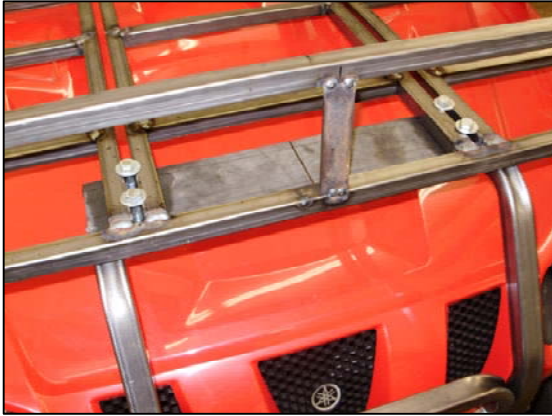
FRONT RACK RHINO 660 4X4



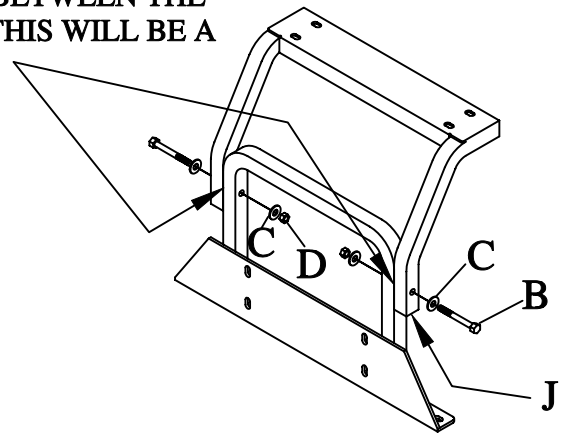
**MOUNT MAIN BRACKET TO FRONT BUMPER OF MACHINE.**



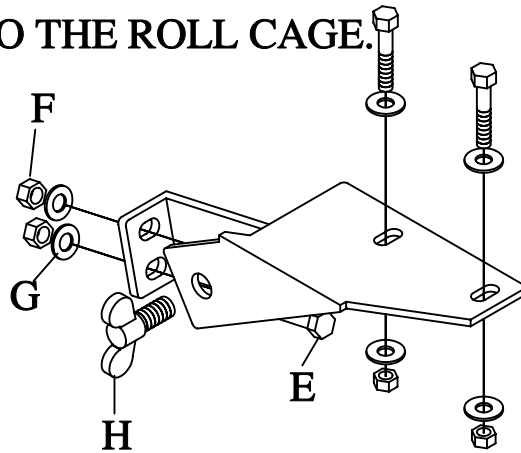
**MOUNT THE RACK SUPPORT BRACKET THE MAIN BRACKET.**



**SLIDE THE 5/16 SAE (M) SMALL WASHERS IN BETWEEN THE TWO 1" TUB. THIS WILL BE A TIGHT FIT.**



**MOUNT THE REAR SUPPORT BRACKETS TO THE ROLL CAGE.**



**MOUNT THE BASKET TO THE FRONT AND REAR BRACKETS.**

