

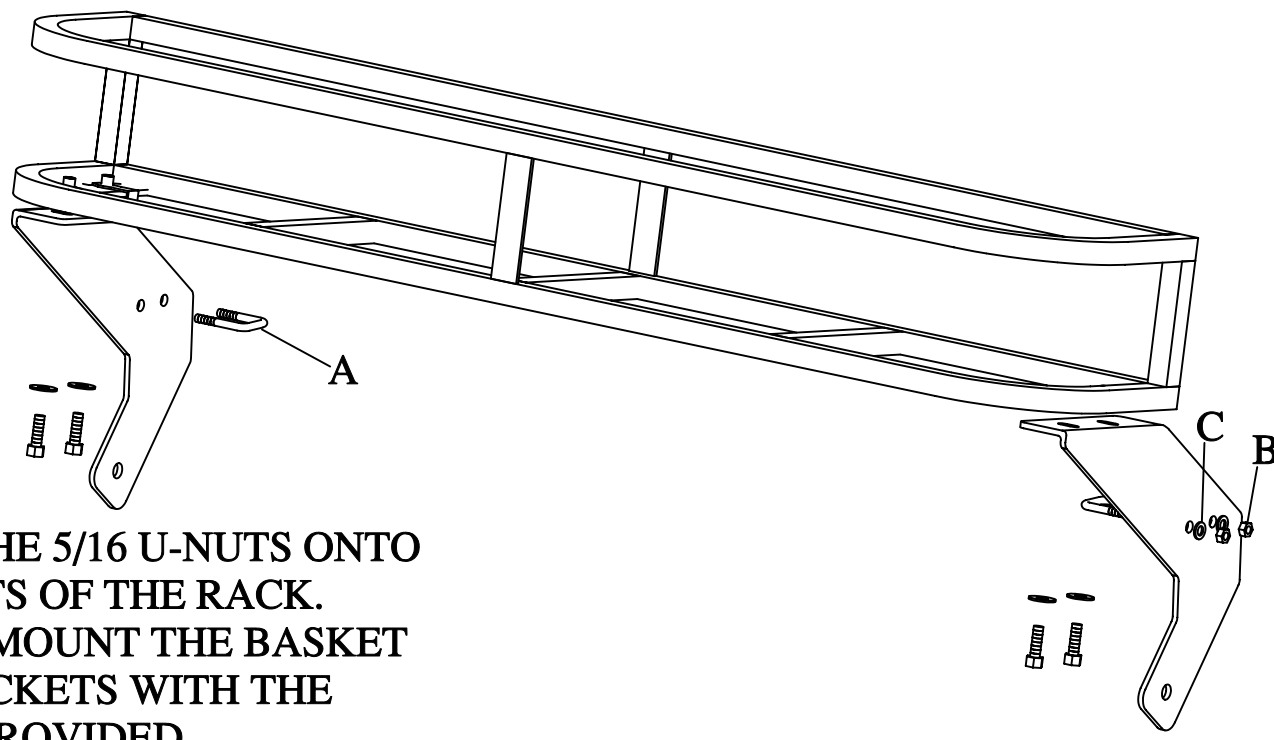
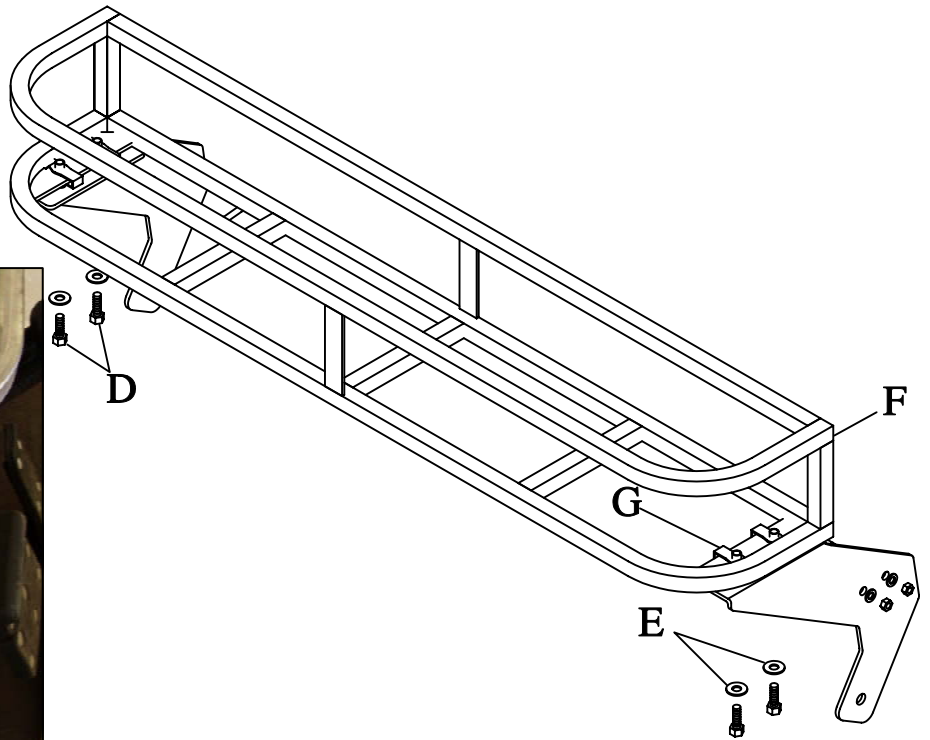
- 2=1/4 X 1 SQUARE U-BOLTS-A
- 4=1/4 LOCK NUTS-B
- 4=1/4 USS WASHERS-C
- 4=5/16 X 1 BOLTS-D
- 4=5/16 USS WASHERS-E
- 4=3/4" PLUGS-F
- 4=5/16 U-NUTS-G



243

FRONT INTERIOR RACK RUFF & TUFF.

THIS RACK IS DESIGNED TO MOUNT BEHIND THE 1" ROLL CAGE OVER THE STEERING COLUMN. MOUNT THE SIDE BRACKETS TO THE ROLL CAGE USING THE 1/4 X 1 SQUARE U-BOLTS AND STOCK HARDWARE ON THE MACHINE.



FIRST SNAP THE 5/16 U-NUTS ONTO THE BRACKETS OF THE RACK. PROCEED TO MOUNT THE BASKET TOP THE BRACKETS WITH THE HARDWARE PROVIDED.