

- 8=5/16 X 1 3/4" BOLTS-A
- 2=1/2" WING BOLTS-E
- 2=5/16 X 2" BOLTS-B
- 4=3/4 PLUGS-F
- 24=5/16 USS WASHERS-C
- 2=1" PLUGS-G
- 14=5/16 LOCK NUTS-D
- 2=5/16 X 1/2 U-BOLTS-H
- 4=1/2 USS WASHERS-I

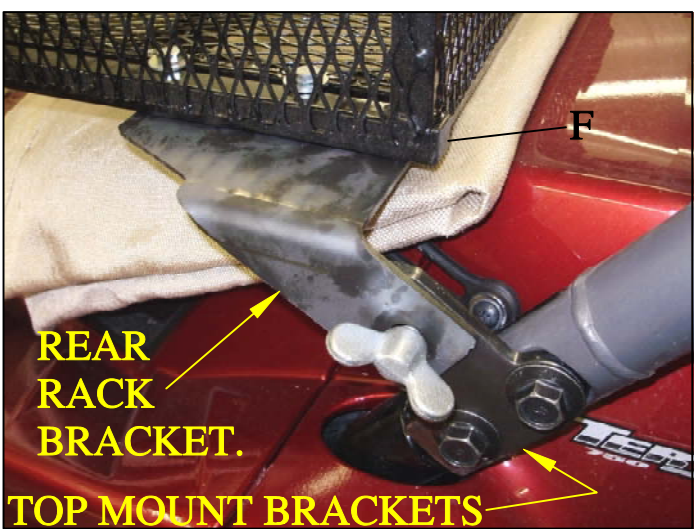


245

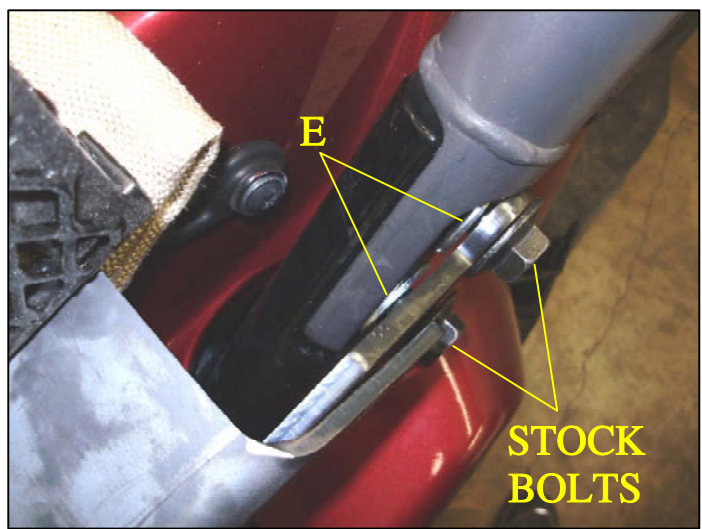
FRONT RACK KAWASAKI

TERYX 750 2010 MODELS

MOUNT THE BRACKETS TO THE BIKE TIGHTEN THEM UP. THEN MOUNT ALL BRACKETS AND HARDWARE TO THE RACK LEAVE LOOSE AND BOLT THE RACK TO THE MAIN BRACKETS ON THE BIKE. THEN ONCE THE RACK IS CENTERED ON THE MACHINE TIGHTEN THE RACK BRACKETS TO THE RACK.



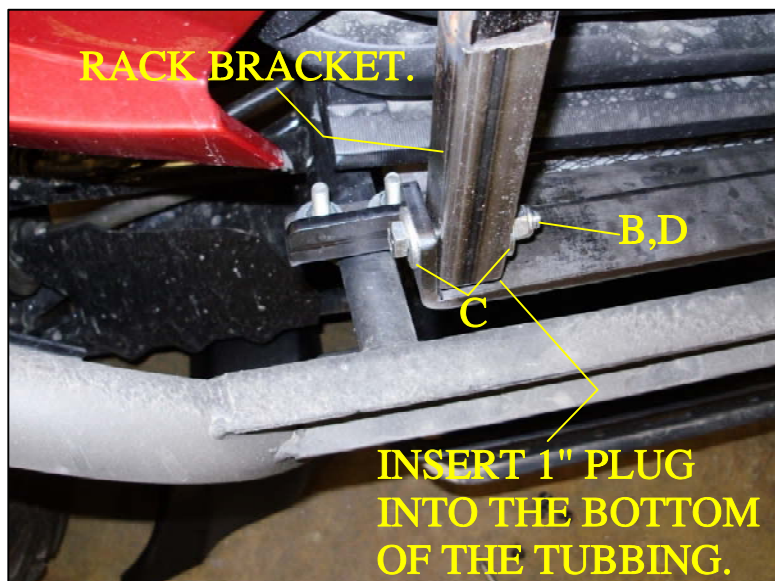
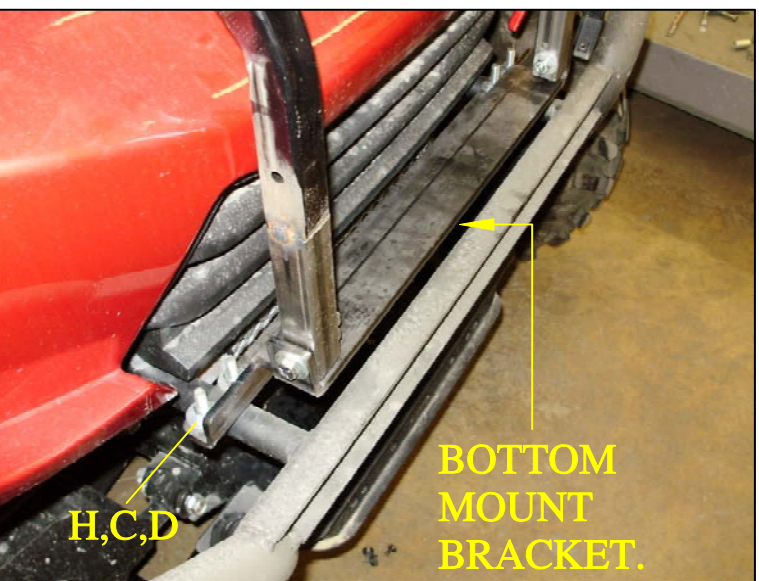
MOUNT THE TOP MOUNT BRACKETS TO THE ROLL CAGE.



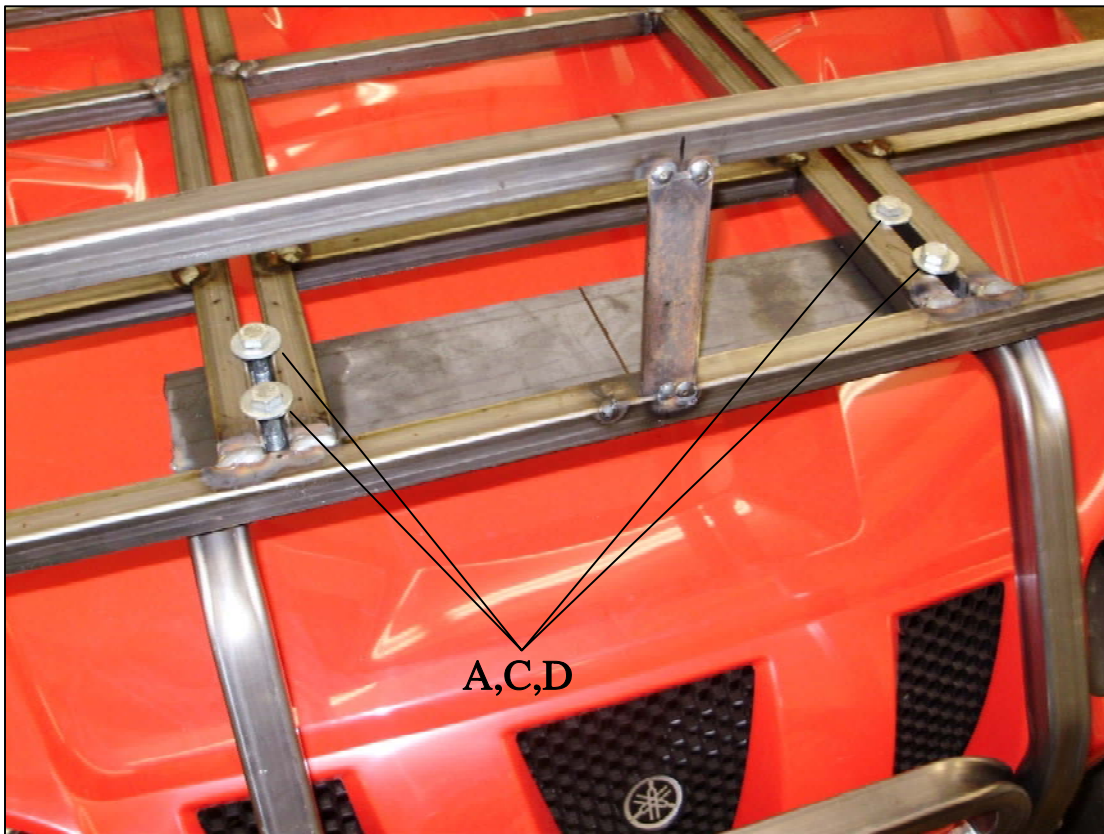
PLACE THE 1/2 USS WASHERS BEHIND THE TOP MOUNT BRACKET. PLACE ONE WASHER ONTO EACH BOLT THEN TIGHTEN BRACKETS.

MOUNT BOTTOM MOUNT BRACKET TO FRONT BUMPER OF MACHINE.

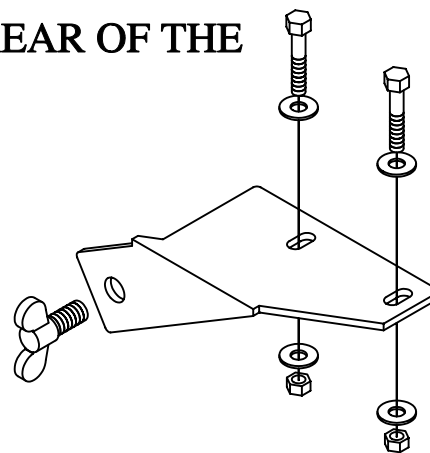
MOUNT RACK BRACKET TO THE BOTTOM MOUNT BRACKET ON THE BUMPER.



MOUNT THE RACK BRACKET THE FRONT OF THE RACK.



MOUNT THE REAR RACK BRACKETS TO THE REAR OF THE RACK.



MOUNT THE RACK TO THE FRONT AND REAR BRACKETS.

