

- 4=1/4 LOCK NUTS-A
- 2=9/16 LOCK NUTS-B
- 4=1/2 USS WASHERS-C
- 4=1/4 SAE WASHERS-D
- 2=9/16X2 BOLTS-E
- 2=1/4X1/2 U-BOLTS-F
- 4=1/4 ROD CAPS-G
- 2=BLACK KNOBS (ROUND)-H



20040

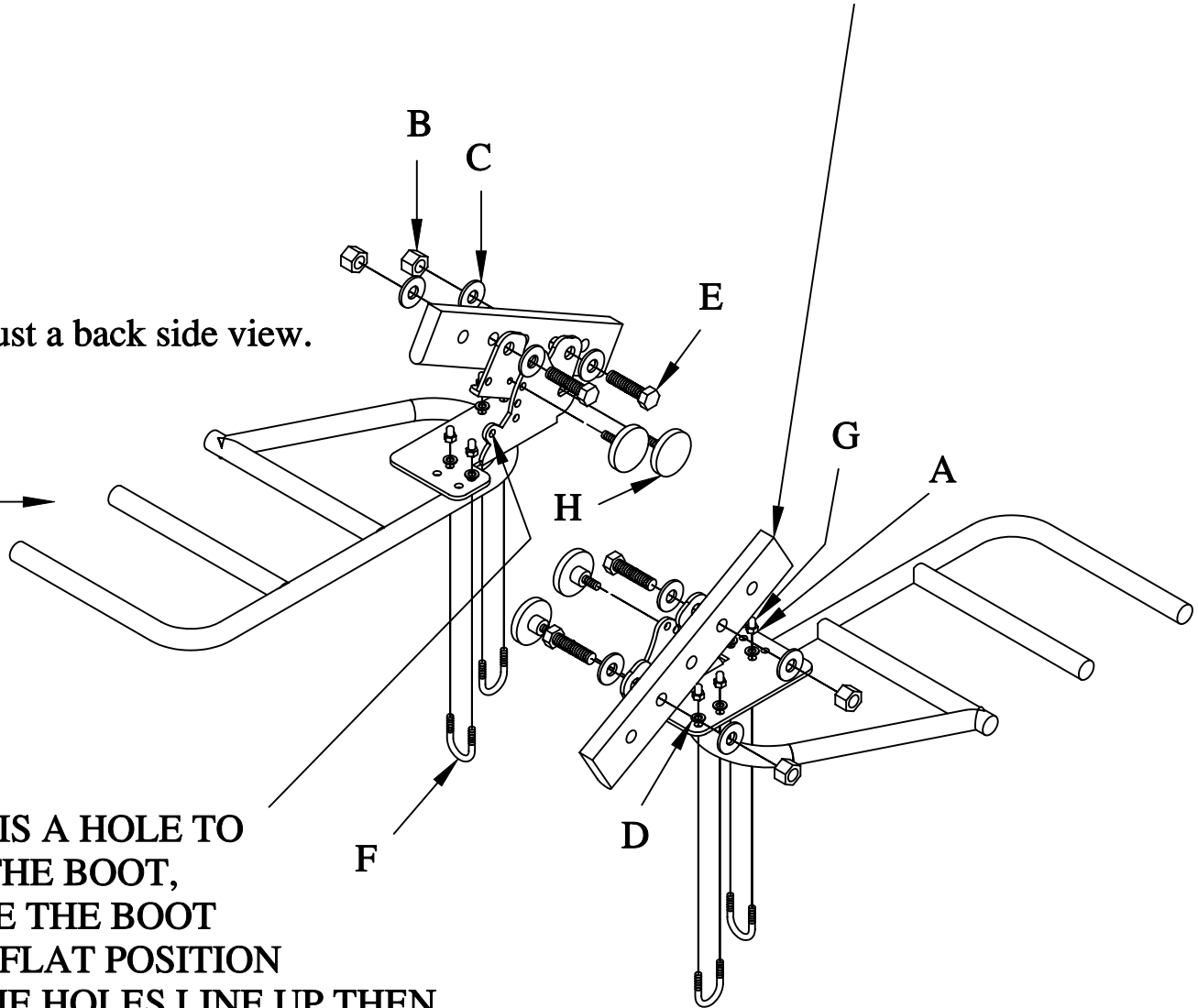
This is the Boot Required for the bracket #20040.



Gun Boot III®

Representing Gun Boot Mounting Holes.

This is just a back side view.



THERE IS A HOLE TO LOCK THE BOOT, ROTATE THE BOOT IN THE FLAT POSITION TILL THE HOLES LINE UP THEN PLACE A PAD LOCK IN HOLES.

TO REMOVE THE BOOT FROM THE BRACKET SIMPLY UNSCREW THE BACK KNOB AND LOOSEN THE FRONT KNOB THEN SLIDE THE BOOT OFF.