

STRONG SM MADE™

BY SAVANT MANUFACTURING, INC.

www.savantmfg.com

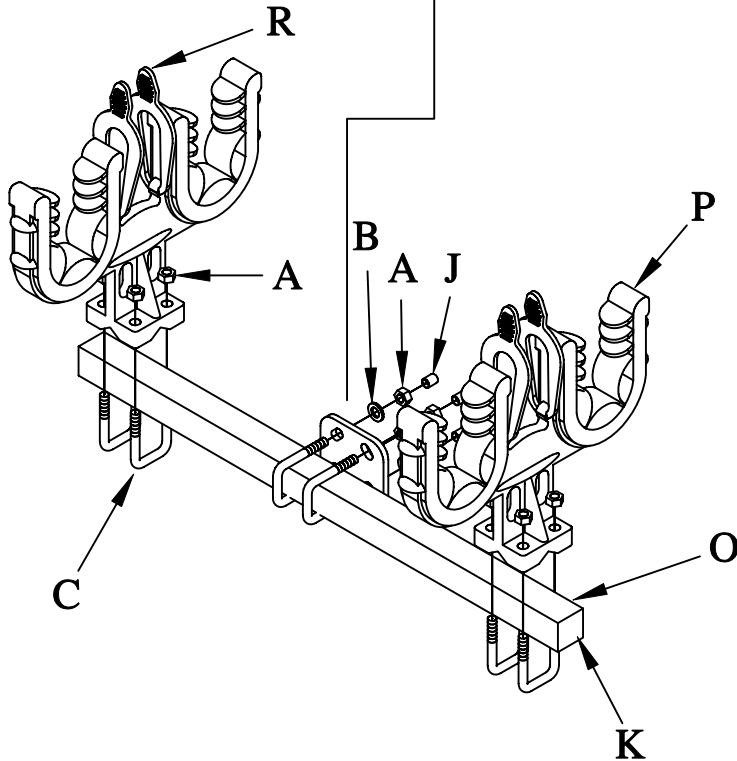
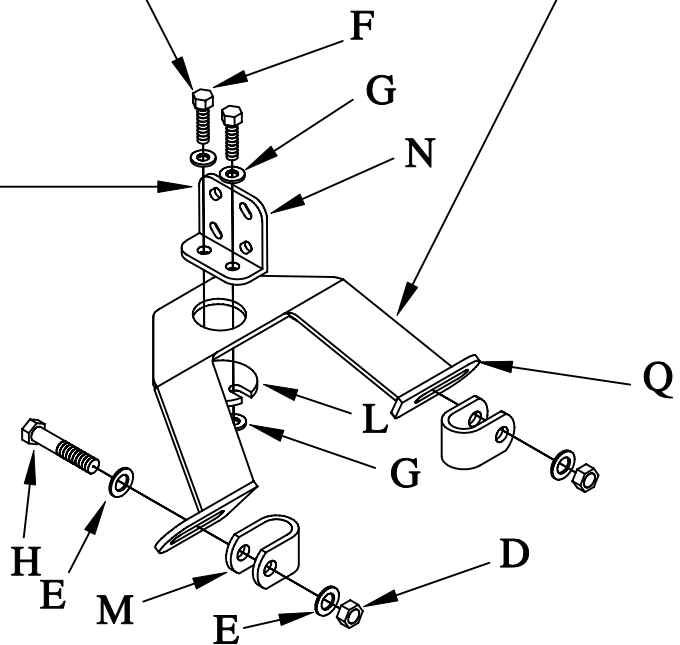
- 12=1/4 LOCK NUTS-A
- 4=1/4 SAE WASHERS-B
- 6=1/4X1 SQUARE YELLOW U-BOLTS-C
- 2=7/16 LOCK NUTS-D
- 4=7/16 SAE WASHERS-E
- 2=5/16X1 1/4 BOLTS-F
- 4=5/16 SAE WASHERS-G
- 2=7/16X2 1/4 BOLTS-H
- 2=5/16 LOCK NUTS-I
- 4=1/4 ROD CAPS-J
- 2=1" PLUGS-K
- 1= ALUMIN. WASHERS SLOTS-L
- 2=3/16X1 1/4X7/8 ROUND CLIPS-M
- 1=GR BRACKET L SHAPE-N
- 1= 1" TUB. 19 LONG-O
- 2=FGAR-2-P
- 1=MAIN BRACKET-Q
- 4=RUBBER SNUBBERS-R

PACK IN BOX,

#GR120

ALL BIKES EXCEPT
HONDA 400,450,500.
(MAIN BRACKET)

PLACE THE 5/16 LOCK NUTS (I) ON THESE BOLTS.



THIS IS HOW THE GR120 BRACKET WILL MOUNT ON THE HONDA RANCHER 350'S. FOR THE CHOKE TO WORK PROPERLY.



THE MAIN BRACKET WILL MOUNT ON TOP OVER THE HEAD LIGHT ON THE BARS AS THE PICTURE SHOWS.