

- 6=1/4 X 1 YELLOW SQUARE U-BOLTS (97810-001)-A
- 12=1/4 LOCK NUTS (0005-08-1060)-B
- 4=5/16 LOCK NUTS (0005-08-1065)-C
- 4=5/16 SAE WASHERS (0015-04-1065)-D
- 2=1" SQUARE PLUGS (S51-3216BK)-E
- 4=5/16 ROD CAPS (516CAP)-F
- 4=RUBBER SNUBBERS (50049793)-G



GR129

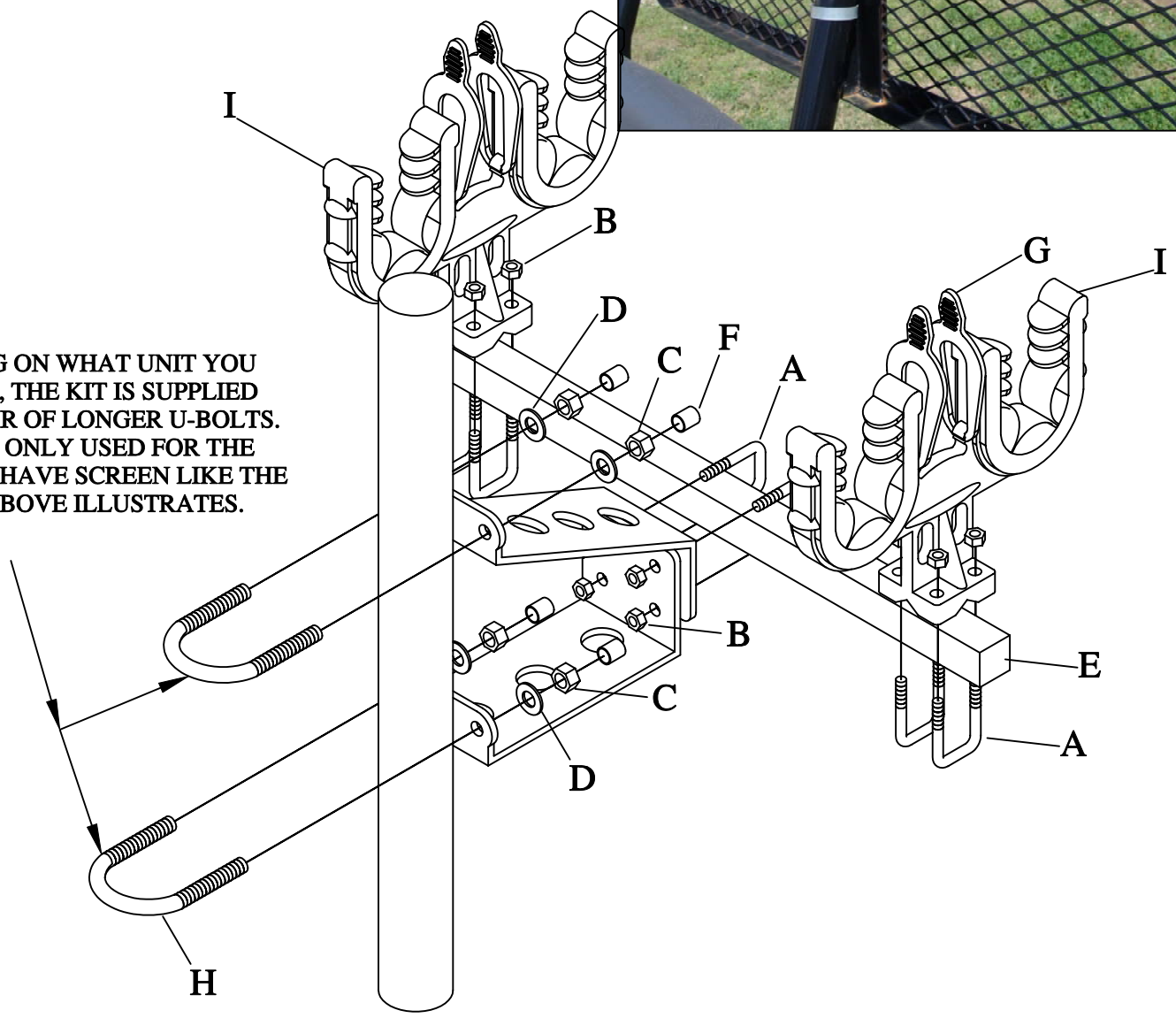
BUSH HOG UTV

- 2=5/16 X 2" ID X 4-3/16" X 2" THREAD U-BOLTS (UBLP-031-0150) ONLY USED ON SCREENED UNITS.-EXTRA-H
- 2=5/16 X 2 ID X 2-11/16 U-BOLTS (UBSP-031-0150)-H

- 2=Fingrip Gun Clips (50049794)-I



DEPENDING ON WHAT UNIT YOU MAY HAVE, THE KIT IS SUPPLIED WITH A PAIR OF LONGER U-BOLTS. THESE ARE ONLY USED FOR THE UNITS THE HAVE SCREEN LIKE THE PICTURE. ABOVE ILLUSTRATES.



BUSH HOG® ACCESSORY LIMITED WARRANTY



Bush Hog warrants to the original purchaser of this Bush Hog UTV gun rack, purchased from an authorized Bush Hog dealer, that the gun rack be free from defects in material and workmanship for a period 6 months from date of retail sale. The obligation of Bush Hog to the purchaser under this warranty is limited to the repair or replacement of defective parts.

Replacement or repair parts installed in the equipment covered by this limited warranty are warranted for sixty (60) days from the date of purchase of such part or to the expiration of the applicable gun rack warranty period, whichever occurs later. Warranted parts shall be provided at no cost to the user at an authorized Bush Hog dealer during regular working hours. Bush Hog reserves the right to inspect any equipment or parts which are claimed to have been defective in material or workmanship.

DISCLAIMER OF IMPLIED WARRANTIES & CONSEQUENTIAL DAMAGES

Bush Hog's obligation under this limited warranty, to the extent allowed by law, is in lieu of all warranties, implied or expressed, **INCLUDING IMPLIED WARRANTIES OF MERCHANTABILITY AND FITNESS FOR A PARTICULAR PURPOSE** and any liability for incidental and consequential damages with respect to the sale or use of the items warranted. Such incidental and consequential damages shall include but not be limited to: transportation charges other than normal freight charges; cost of installation other than cost approved by Bush Hog; duty; taxes; charges for normal service or adjustment; loss of use or any other loss of income; rental of substitute equipment, expenses due to loss, damage, detention or delay in the delivery of equipment or parts resulting from acts beyond the control of Bush Hog.

THIS LIMITED WARRANTY SHALL NOT APPLY:

1. To transportation to and from dealership or service calls made by dealers, ie, driving time, towing, pickup and delivery.
2. If the unit has been subjected to misapplication, abuse, misuse, negligence, fire or other accident.
3. If parts not made or supplied by Bush Hog have been used in connection with the unit, if, in the sole judgement of Bush Hog such use affects its performance, stability or reliability.
4. If the unit has been altered or repaired outside of an authorized Bush Hog dealership in a manner which, in the sole judgement of Bush Hog, affects its performance, stability or reliability.

NO EMPLOYEE OR REPRESENTATIVE OF BUSH HOG IS AUTHORIZED TO CHANGE THIS LIMITED WARRANTY IN ANY WAY OR GRANT ANY OTHER WARRANTY UNLESS SUCH CHANGE IS MADE IN WRITING AND SIGNED BY BUSH HOG'S SERVICE MANAGER, POST OFFICE BOX 1039, SELMA, ALABAMA 36702-1039.



PROOF OF PURCHASE MUST BE
RECEIVED WITH WARRANTY
REQUEST FROM SELLING DEALER.

MODEL NUMBER OF UTV _____

SERIAL NUMBER _____

DATE OF RETAIL SALE OF ACCESSORY _____



BUSH HOG® L.L.C.

P.O. Box 1039 • Selma, AL 36702-1039
Telephone (334) 874-2700 • www.bushhog.com