



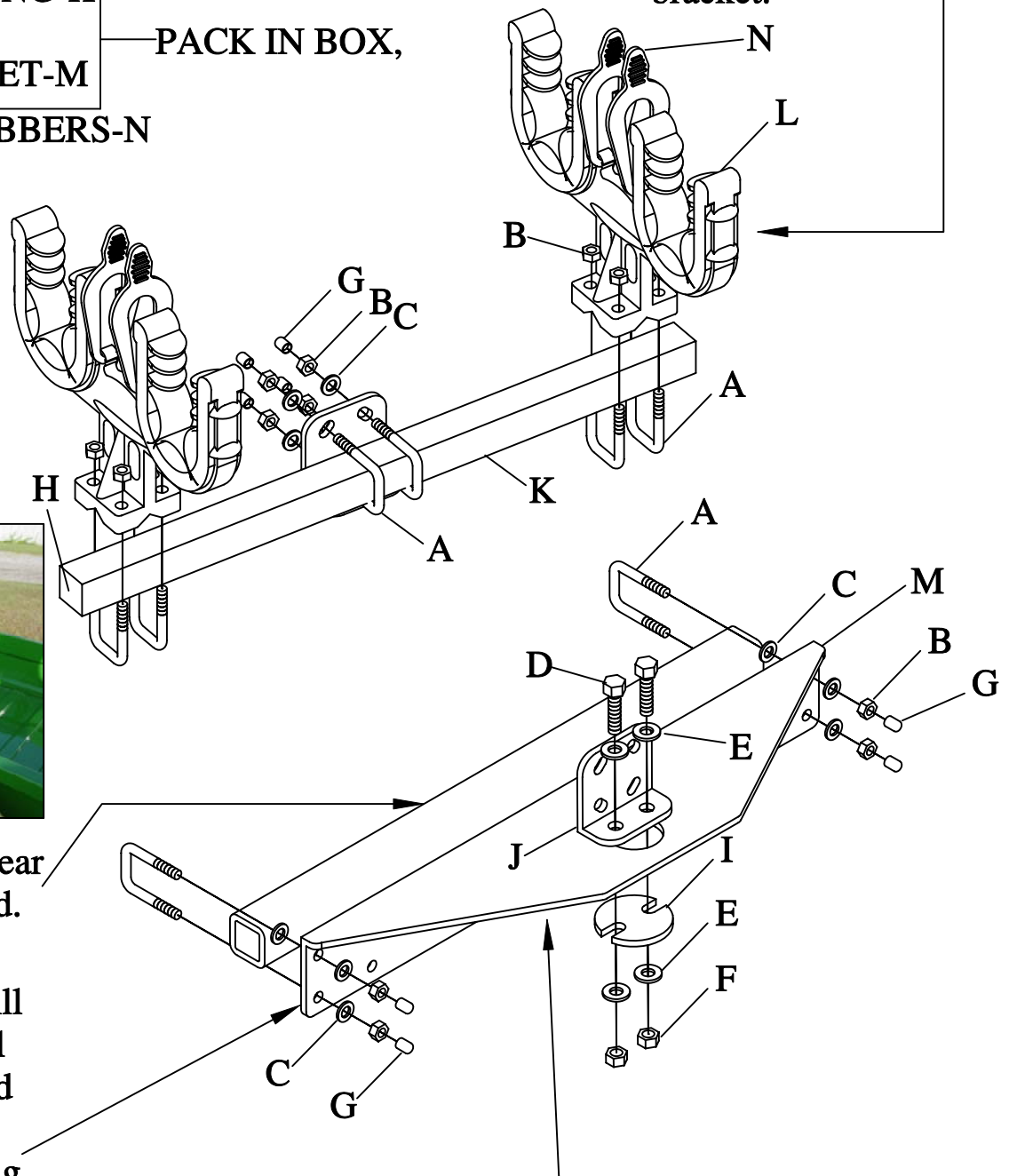
- 8=1/4 X 1 SQUARE YELLOW U-BOLTS-A
- 16=1/4 LOCK NUTS-B
- 10=1/4 SAE WASHERS-C
- 2=5/16 X 1 1/4 BOLTS-D
- 4=5/16 SAE WASHERS-E
- 2=5/16 LOCK NUTS-F
- 8=1/4 ROD CAPS-G
- 2=1" BLACK SQUARE PLUGS-H
- 1= ALUMIN. WASHERS SLOTS-I
- 1=GR BRACKET L SHAPE-J
- 1= 1" TUB. 19 LONG-K
- 2=FGAR-2-L
- 1=MAIN BRACKET-M
- 4=RUBBER SNUBBERS-N

GR130

GUN RACK FOR THE JOHN DEERE GATOR. (REAR DUMP BED MOUNT)

2ND Step is to mount the clips to the tub. and then moun the tub. to the main bracket.

PACK IN BOX,



This represents the rear frame tub. on the bed.

The main bracket will mount to the bed rail behind the driver and passenger seats. The bracket will hang over toward the inside of the bed.

1ST Step is to mount the main bracket to the frame.

