

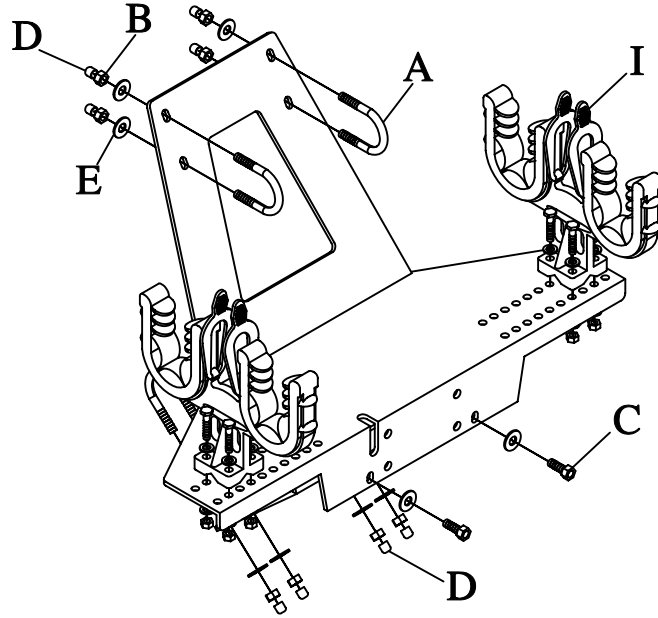
- 4=5/16 X 1 1/4 U-BOLTS-A
- 10=5/16 LOCK NUTS-B
- 2=5/16 X 1 BOLTS-C
- 8=5/16 ROD CAPS-D
- 12=5/16 USS WASHERS-E
- 8=1/4 X 1 1/4 BOLTS-F
- 8=1/4 LOCK NUTS-G
- 16=1/4 SAE WASHERS-H
- 4= RUBBER SNUBBERS-I



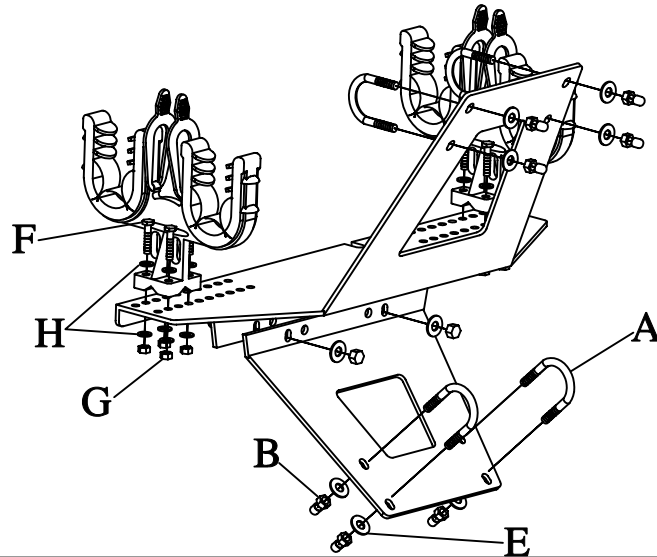
GR133

GUN RACK POLARIS 800 RZR
(DOUBLES AS A GUN BOOT
BRACKET ALSO)

FRONT VIEW OF MOUNT.



REAR VIEW OF MOUNT.



BRACKET MOUNTED TO
THE ROLL CAGE.