

- 12=5/16 LOCK NUTS-A
- 16=5/16 USS WASHERS-B
- 4=5/16 X 1 BOLTS-C
- 4=5/16 X 1 1/4" U-BOLTS-D
- 8=1/4 X 1 1/4 BOLTS-E
- 8=1/4 LOCK NUTS-F
- 16=1/4 SAE WASHERS-G
- 4=RUBBER SNUBBERS-H

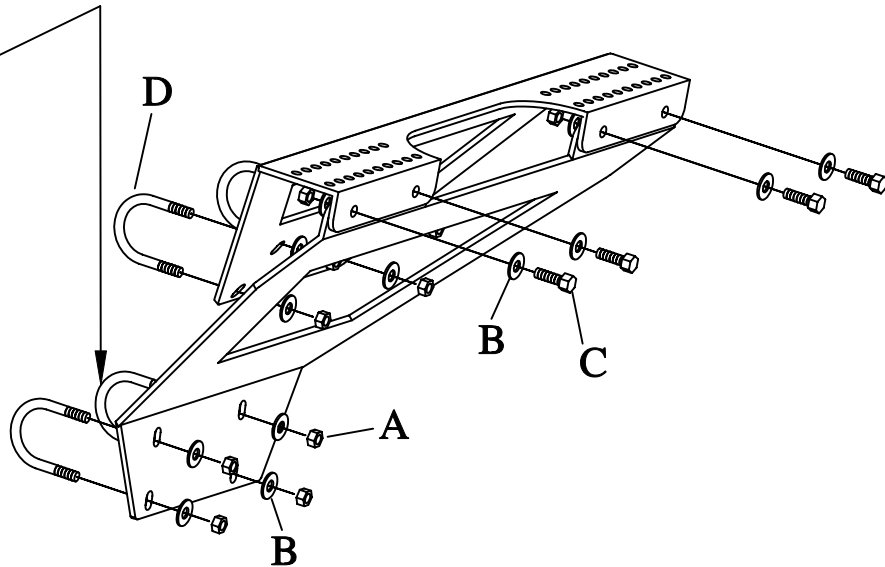
MUST LIFT THE BED FOR INSTALLATION.



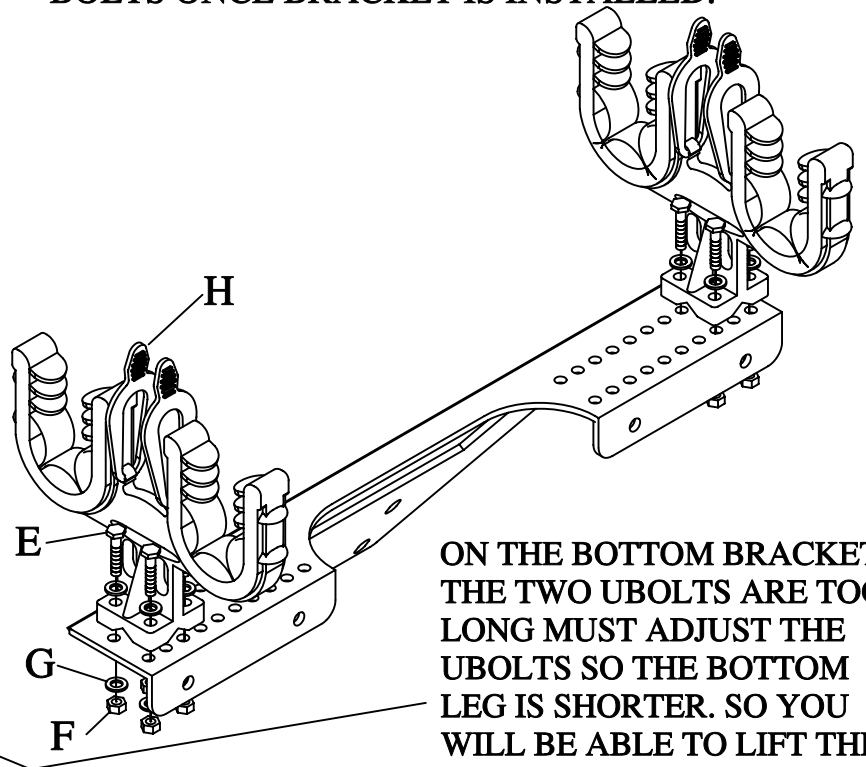
GR135

KAWASAKI MULE 600 610 2X4 4X4

THIS U-BOLT WILL FIT BETWEEN THE SAFETY BELT MOUNTS ON THE BOTTOM ROLL CAGE.



MUST LOOSEN THE TWO BOLTS THAT HOLD THE SCREEN TO THE BACK OF THE ROLL CAGE. MUST TIGHTEN ANY LOOSE BOLTS ONCE BRACKET IS INSTALLED.



ON THE BOTTOM BRACKET THE TWO UBOLTS ARE TOO LONG MUST ADJUST THE UBOLTS SO THE BOTTOM LEG IS SHORTER. SO YOU WILL BE ABLE TO LIFT THE BED.

