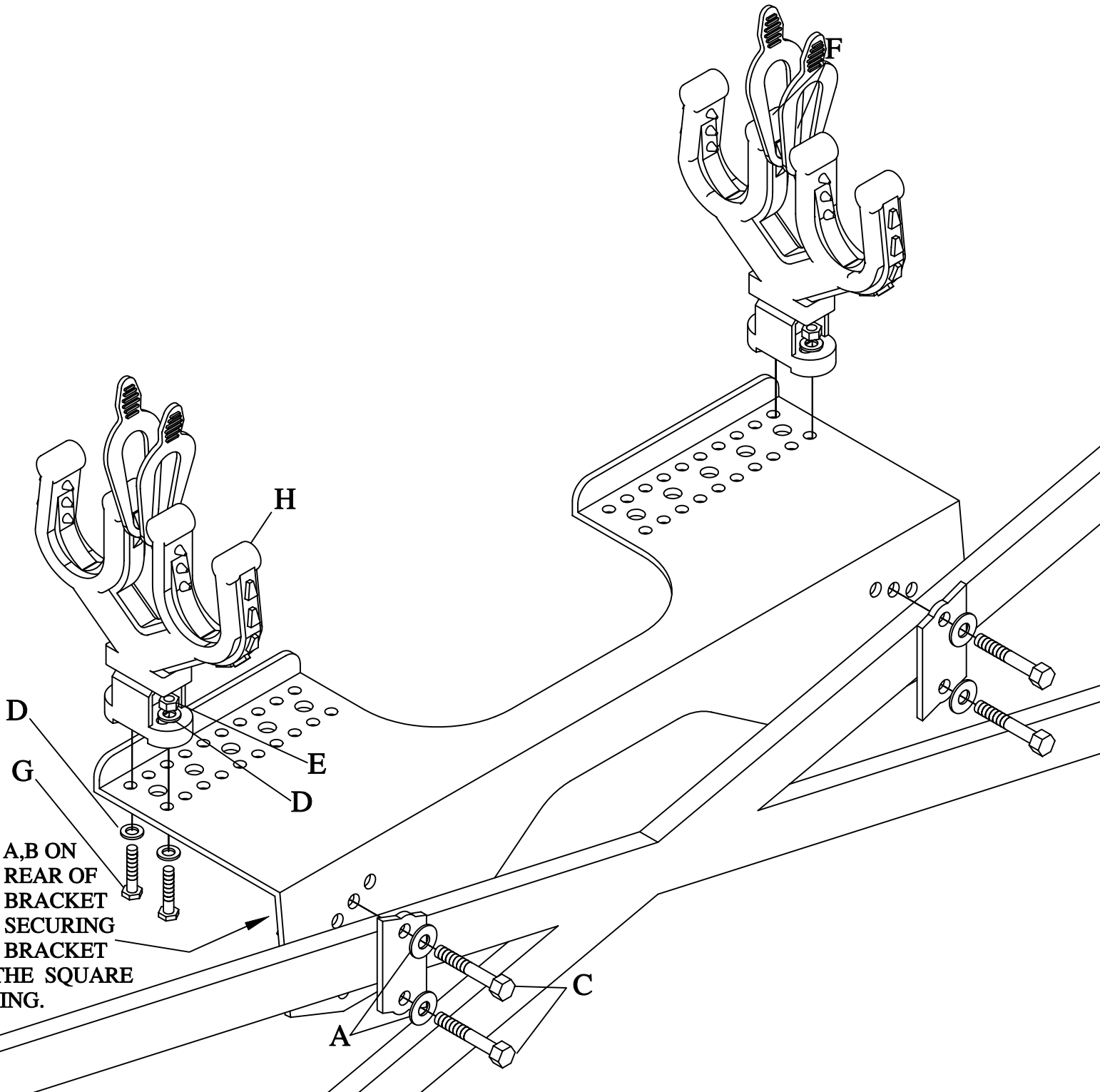


- 8=5/16 USS WASHERS-A
- 4=5/16 LOCK NUTS-B
- 4=5/16 X 1 3/4 BOLTS-C
- 8=1/4 SAE WASHERS-D
- 4=1/4 LOCK NUTS-E
- 4=RUBBER SNUBBERS-F
- 4=1/4 X 1 1/4 BOLTS-G
- 2=FGAR (GUN CLIPS)-H



GR140

REAR CAGE MOUNT GUN RACK
POLARIS RANGER XP 2010



USE A,B ON THE REAR OF THE BRACKET FOR SECURING THE BRACKET TO THE SQUARE TUBING.