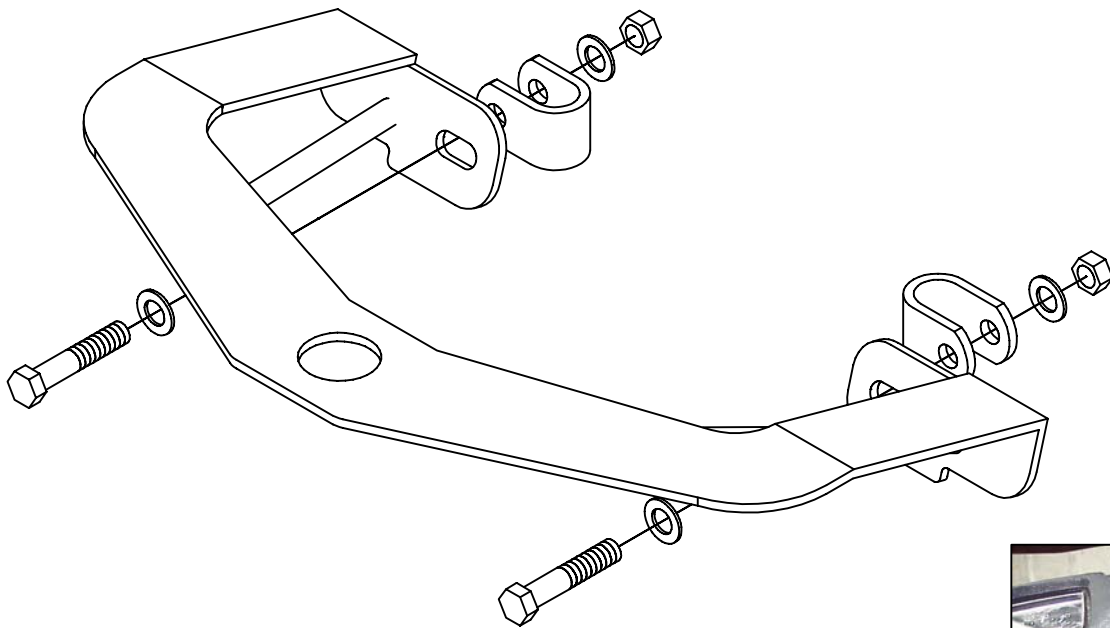


2=7/16X2 1/4 BOLTS  
2=7/16 LOCK NUTS  
2=3/16X11/4X7/8 RC  
4=7/16 SAE WASHERS

**SMI** SAVANT  
MFG., INC.

## GRFR111 FRAME TO MOUNT TO THE HANDLEBARS



**THE BRACKET WILL MOUNT TO  
YOUR HANDLEBARS AS SHOWN IN  
PICTURE.**



**ON THE 2002 SUZUKI EIGER THE  
CLIPS MUST BE PLACED LIKE  
THIS WHERE THE FLIP SWITCH  
2WD&4WD  
IS LOCATED. LOOSEN THE 8MM  
BOLTS THAT HOLED THE  
SWITCH PLACE THE CLIP IN  
PLACE TIGHTEN THE BOLTS  
BACK THEN PROCEED.**