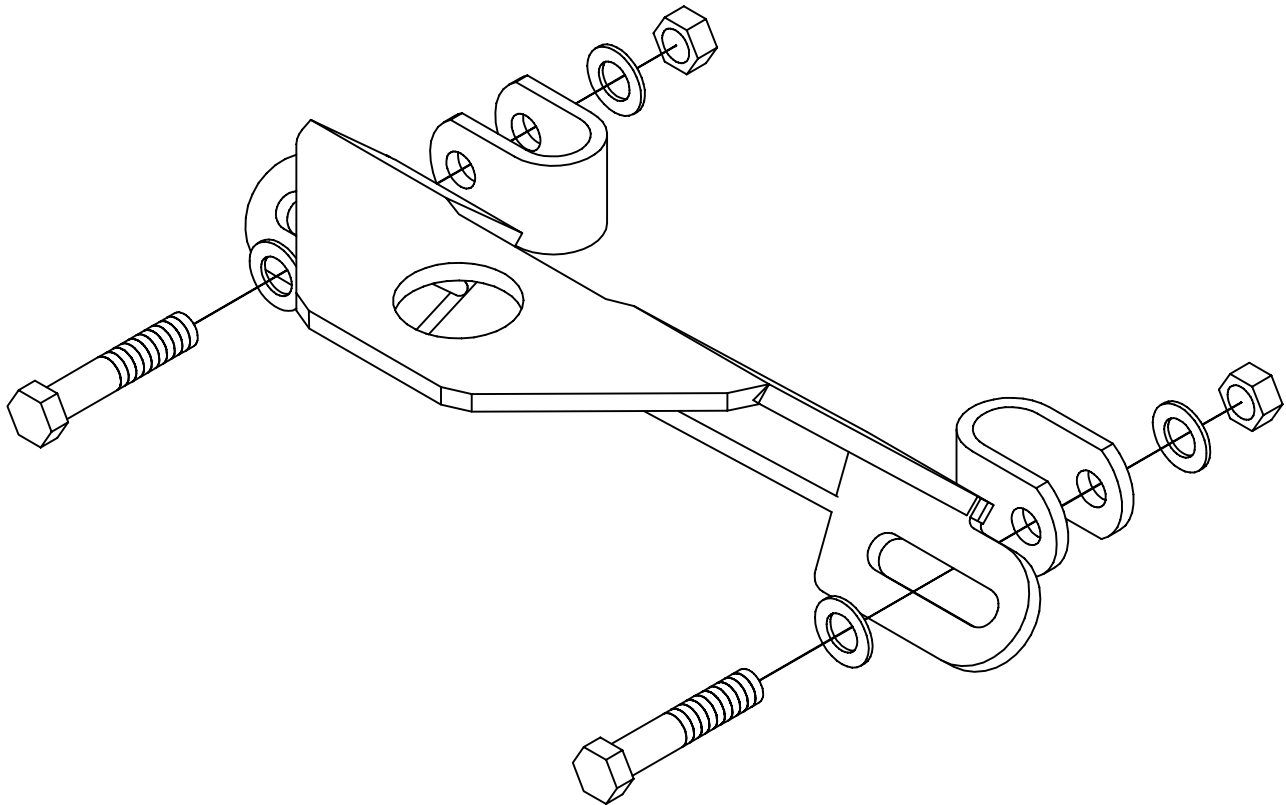


2=7/16X2 1/4 BOLTS
2=7/16 LOCK NUTS
2=3/16X11/4X7/8RC
4=7/16 SAE WASHERS

SMI SAVANT
MFG., INC.

GRFR112 EL
FRAME TO MOUNT
TO THE HANDLEBARS



THE BRACKET WILL MOUNT TO YOUR HANDLEBARS AS SHOWN IN PICTURE.