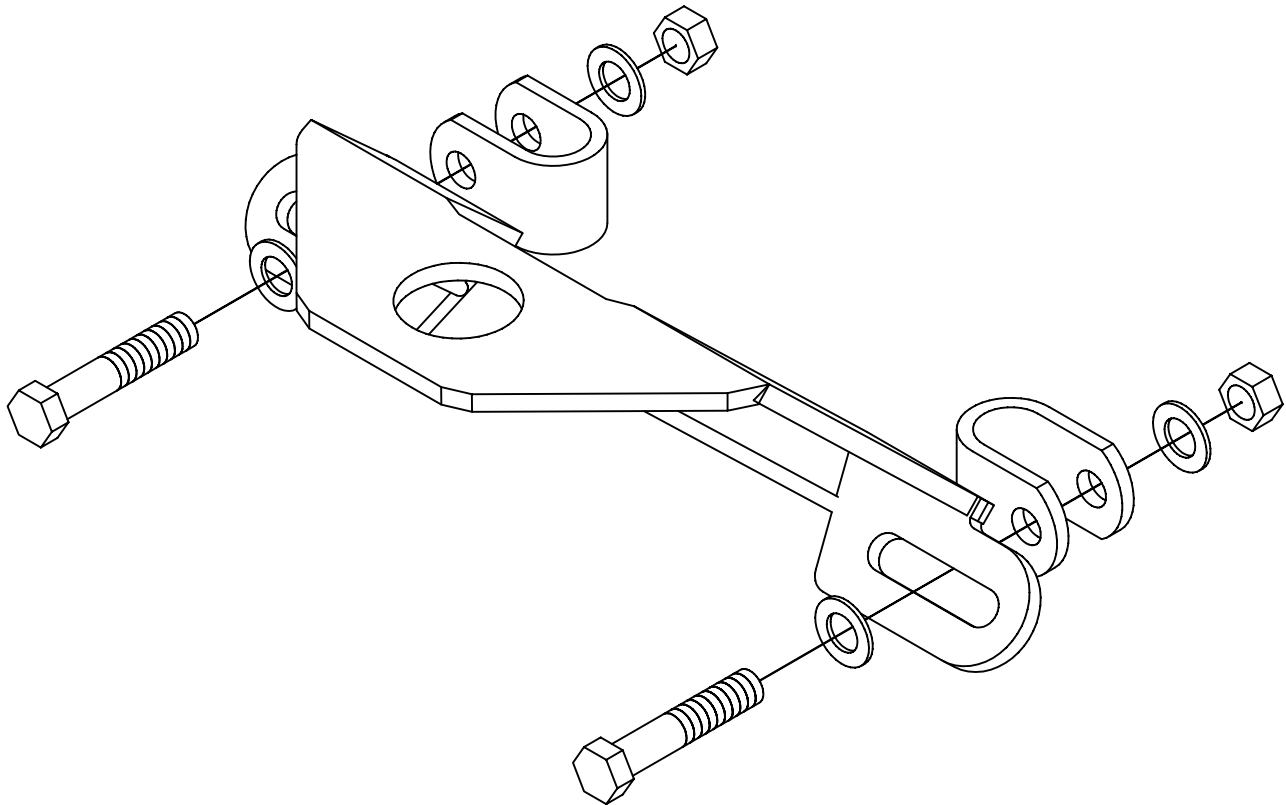


2=7/16X2 1/4 BOLTS
2=7/16 LOCK NUTS
2=3/16X11/4X7/8RC
4=7/16 SAE WASHERS

SMI SAVANT
MFG., INC.

GRFR120 FRAME TO MOUNT TO THE HANDLEBARS



THE BRACKET WILL MOUNT TO YOUR HANDLEBARS AS SHOWN IN PICTURE.