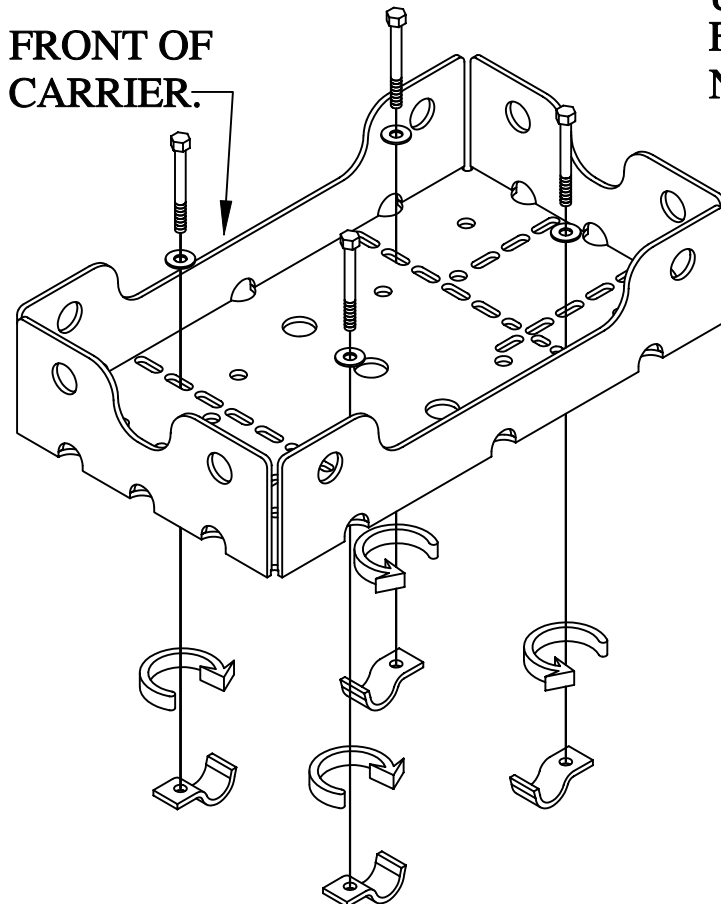


- 4=QC100 CLIPS
- 4=5/16 USS WASHERS
- 4=5/16 X 1 BOLTS
- 8=RUBBER BUMPER PLUGS
- 4=18 1/2" TRIM LOCK
- 1=28" LONG RUBBER STRAP



ICC101-AL-NC

UNIVERSAL ICE CHEST CARRIER
FRONT OR REAR MOUNT. ICE CHEST
NOT INCLUDED.



CLIPS MAY MOUNT INTO ANY OF THE HOLES PROVIDED. THIS WILL DEPEND ON THE ATV'S FRONT OR REAR RACKS.

THE CARRIER IS DESIGN TO CARRY A 18 QT OR SMALLER ICE CHEST. THIS CHEST CAN BE ORDER FROM SAVANT MFG. OR BOUGHT FROM YOUR LOCAL WALMART CENTERS.

PLACE THE EIGHT RUBBER BUMPER PLUGS INTO THE 1/2 HOLES ON THE PLATE.

PLACE THE TWO 18 1/2 TRIM ON THE FRONT AND REAR OF THE CARRIER. YOU WILL NEED TO CUT TWO OF THEM TO 11" THESE ARE USED ON THE SIDES.

