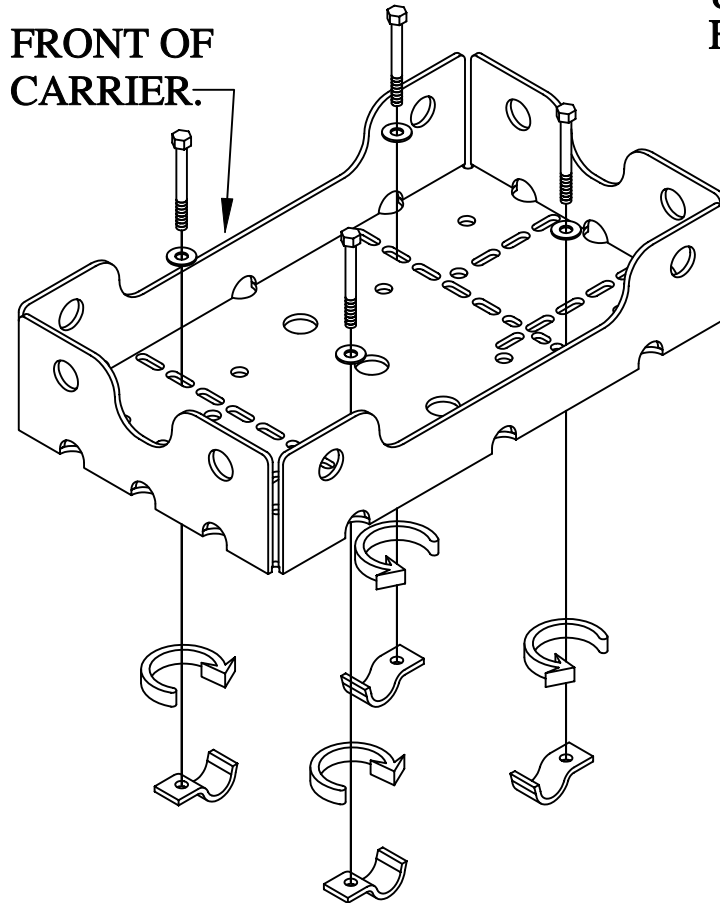


- 4=QC100 CLIPS
- 4=5/16 USS WASHERS
- 4=5/16 X 1 BOLTS
- 8=RUBBER BUMPER PLUGS
- 4=18 1/2" TRIM LOCK
- 1=RUBBER STRAP (BLACK IN COLOR)
- 1=18 QUART ICE CHEST(COLOR MAY VARY)



ICC101-AL

UNIVERSAL ICE CHEST CARRIER
FRONT OR REAR MOUNT.



CLIPS MAY MOUNT INTO ANY OF THE HOLES PROVIDED. THIS WILL DEPEND ON THE ATV'S FRONT OR REAR RACKS.

THE CARRIER IS DESIGN TO CARRY A 18 QT OR SMALLER ICE CHEST.

PLACE THE EIGHT RUBBER BUMPER PLUGS INTO THE 1/2" HOLES ON THE PLATE.

PLACE THE TWO 18 1/2" TRIM ON THE FRONT AND REAR OF THE CARRIER. YOU WILL NEED TO CUT TWO OF THEM TO 11" THESE ARE USED ON THE SIDES.

PLACE THE SINGLE BLACK STRAP OVER THE CENTER OF THE ICE CHEST TO SECURE IT INTO PLACE.

