

- 2=5/16x1 BOLTS-A
- 2=5/16 LOCK NUTS-B
- 2= 5/16 USS WASHERS-C
- 2=5/16X1" ZINC PLATE WASHERS-D

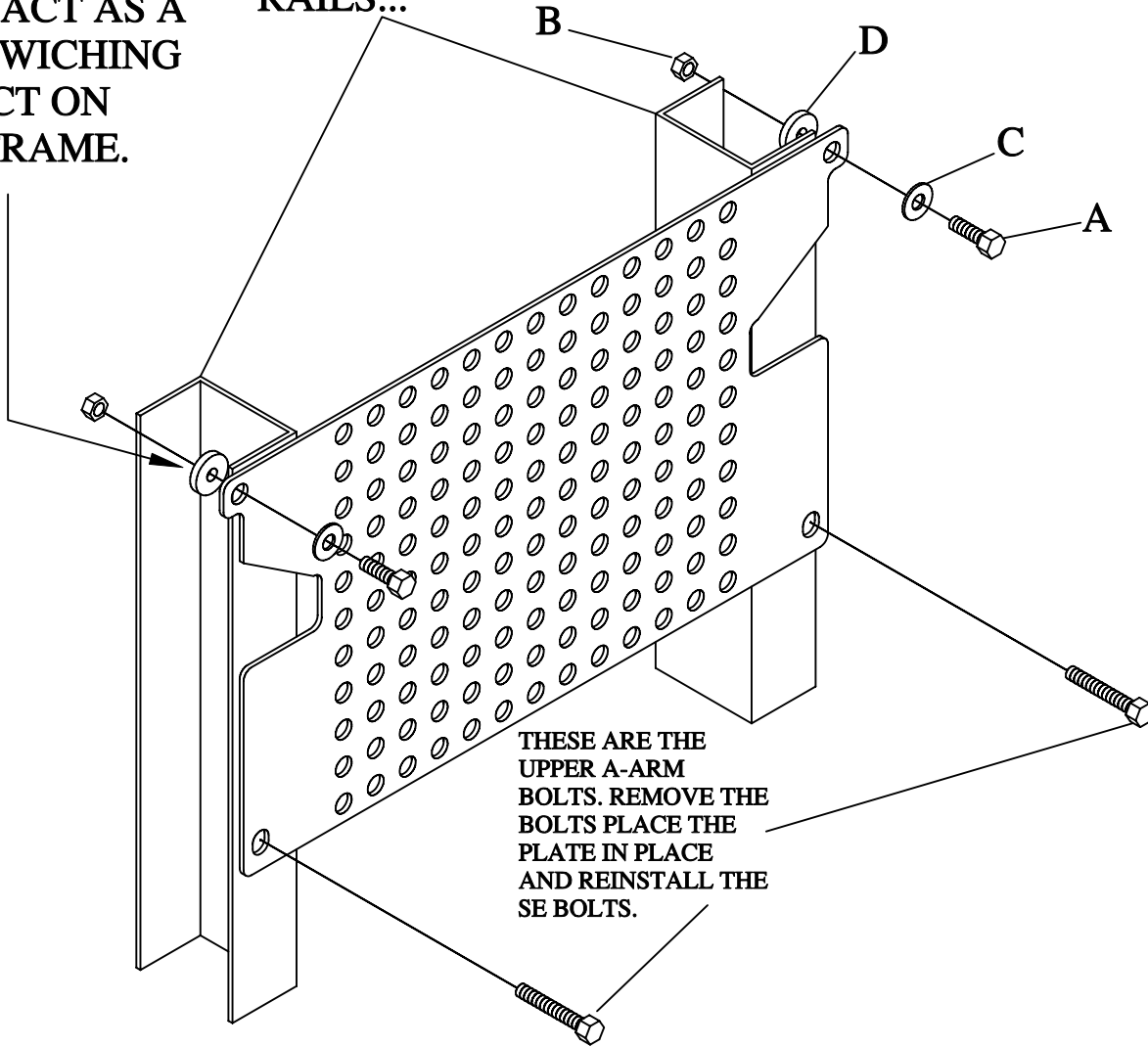


#RG101-AL

Aluminum Radiator Guard Yamaha Rino 660
4x4

THESE BOLTS
AND WASHERS
WILL ACT AS A
SANDWICHING
AFFECT ON
THE FRAME.

REPRESENT
THE FRAME
RAILS...



THESE ARE THE
UPPER A-ARM
BOLTS. REMOVE THE
BOLTS PLACE THE
PLATE IN PLACE
AND REINSTALL THE
SE BOLTS.