

- 2=5/16x1 BOLTS-A
- 2=5/16 LOCK NUTS-B
- 2= 5/16 USS WASHERS-C
- 2=5/16X1" ZINC PLATE WASHERS-D

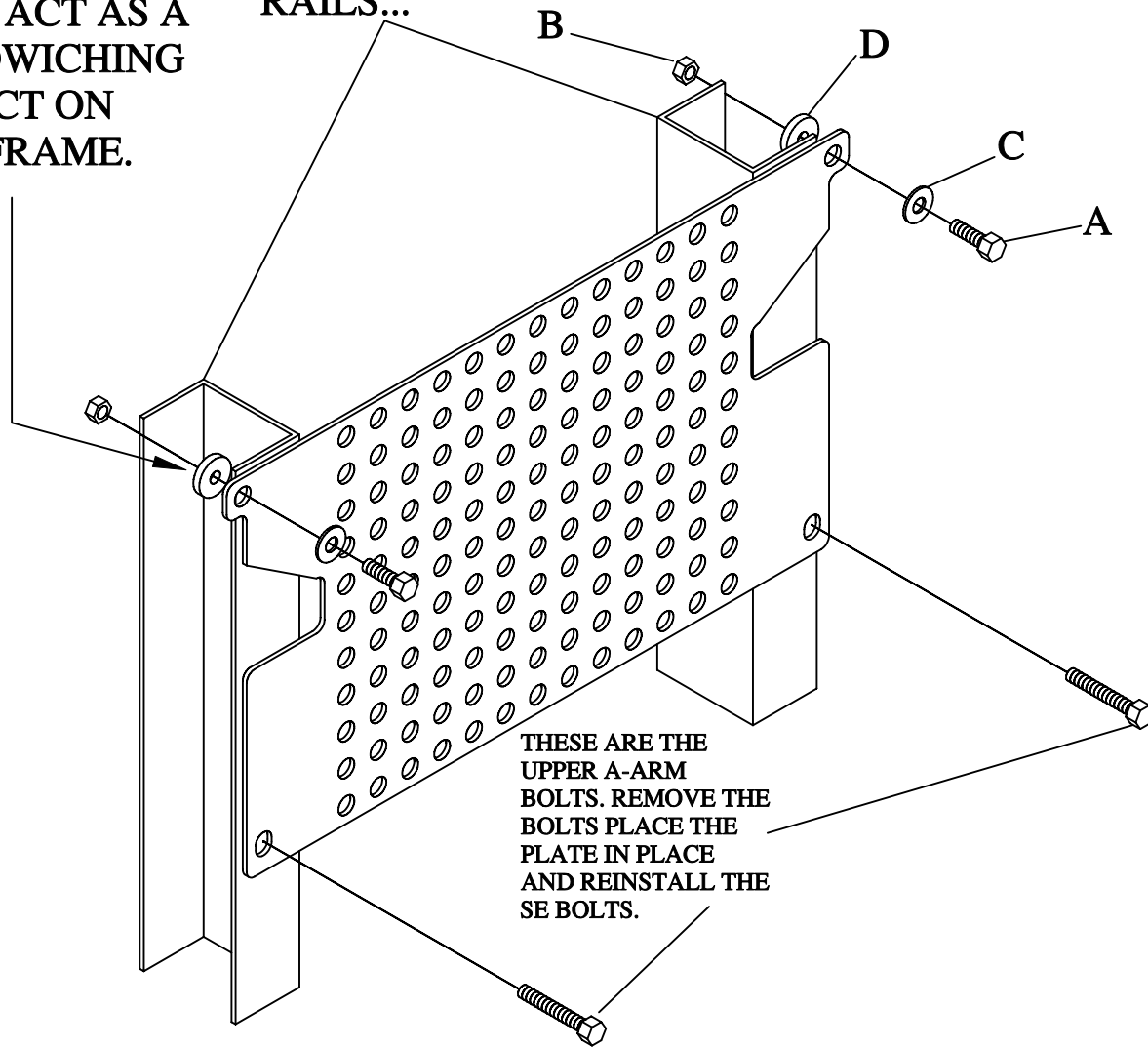


#RG101

Radiator Guard Yamaha Rino 660 4x4

THESE BOLTS AND WASHERS WILL ACT AS A SANDWICHING AFFECT ON THE FRAME.

REPRESENT THE FRAME RAILS...



THESE ARE THE UPPER A-ARM BOLTS. REMOVE THE BOLTS PLACE THE PLATE IN PLACE AND REINSTALL THE SE BOLTS.