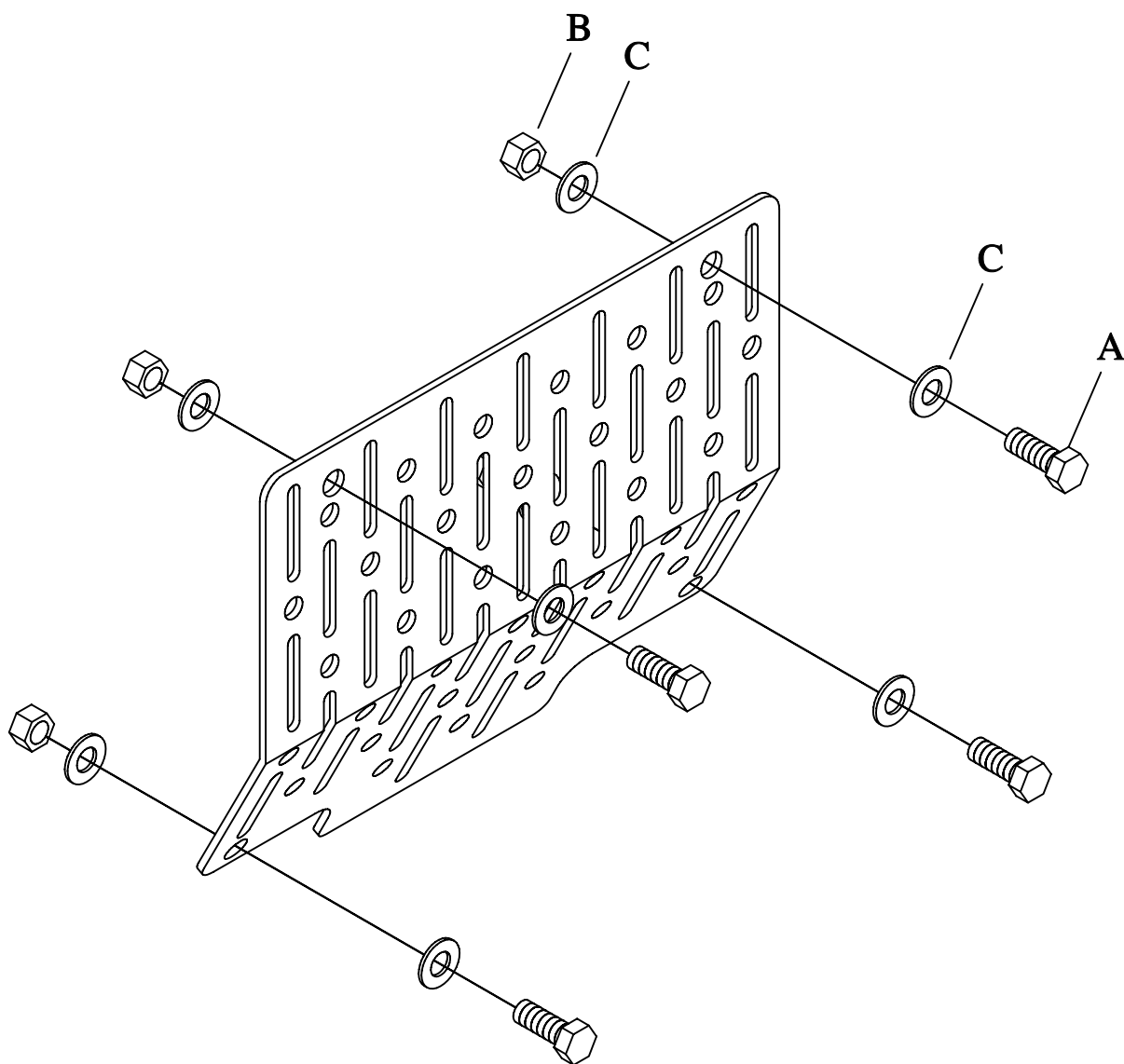


4=3/8x1 BOLTS-A
4=3/8 LOCK NUTS-B
8=3/8 SAE WASHERS-C

SMI SAVANT
MFG., INC.

#RG102

RADIATOR GUARD



TO INSTALL THE RG102 REMOVE THE TOP PLASTIC RACK AND THEN THE FRONT PLASTIC BUMPER THEN REMOVE THE SMALL GRILLS ON THE FRONT OF THE RADIATOR THEN REMOVE THE RUBBER GRUMMAN'S IN THE FRONT LOWER PART OF THE GRILL . BOLT THE REPLACEMENT RG102 AS SHOWN IN THE PIC.