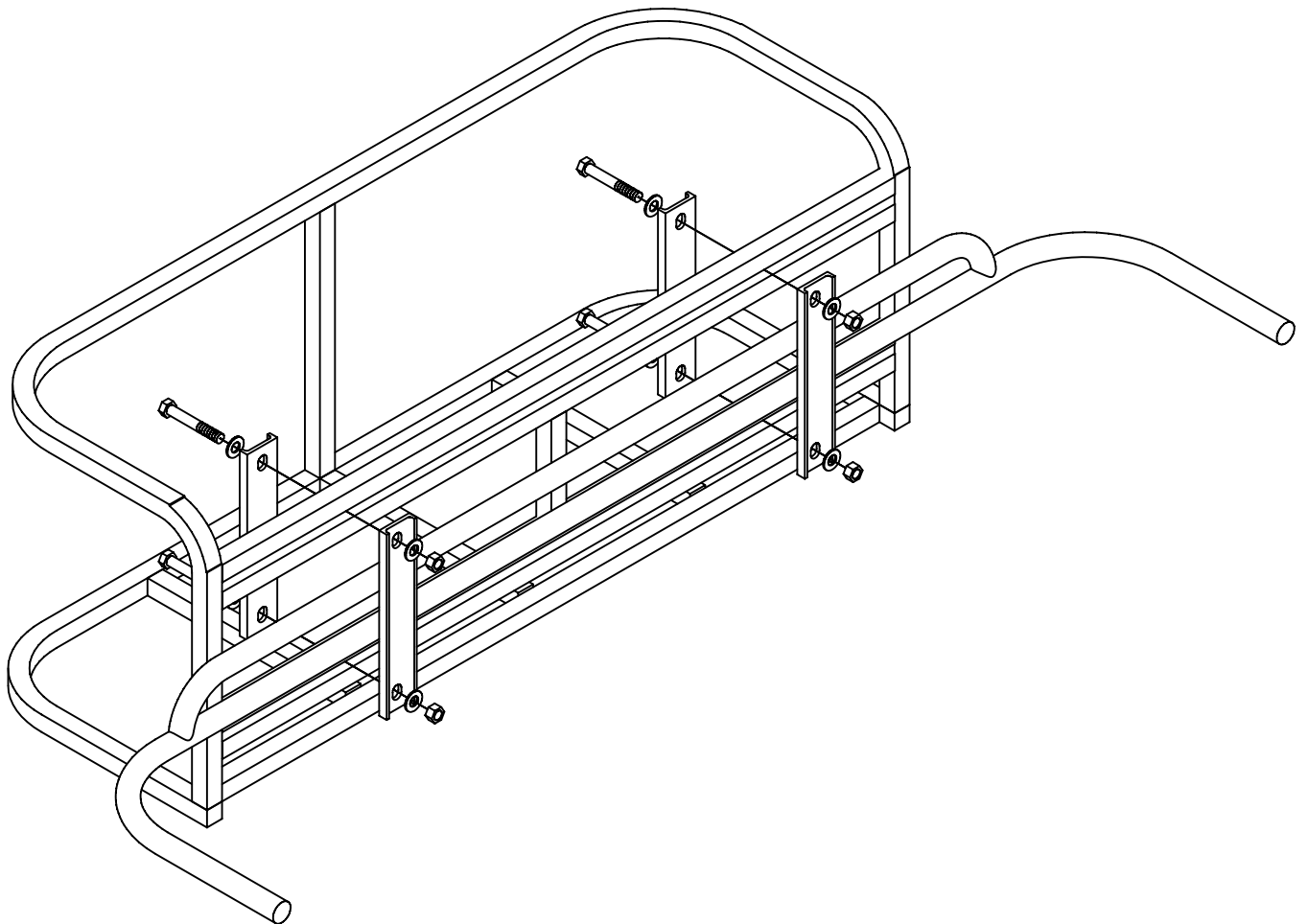


- 4=3/8x3 BOLTS
- 4=3/8 LOCK NUTS
- 8=3/8 SAE WASHERS
- 2=3/4 PLUGS
- 4= 1 1/2 CHANNEL IRONS



528

MUST USE YOUR REAR RAIL
TO MOUNT TO THE RACK.



MOUNT AS SHOWN IN THE PICTURE ABOVE.