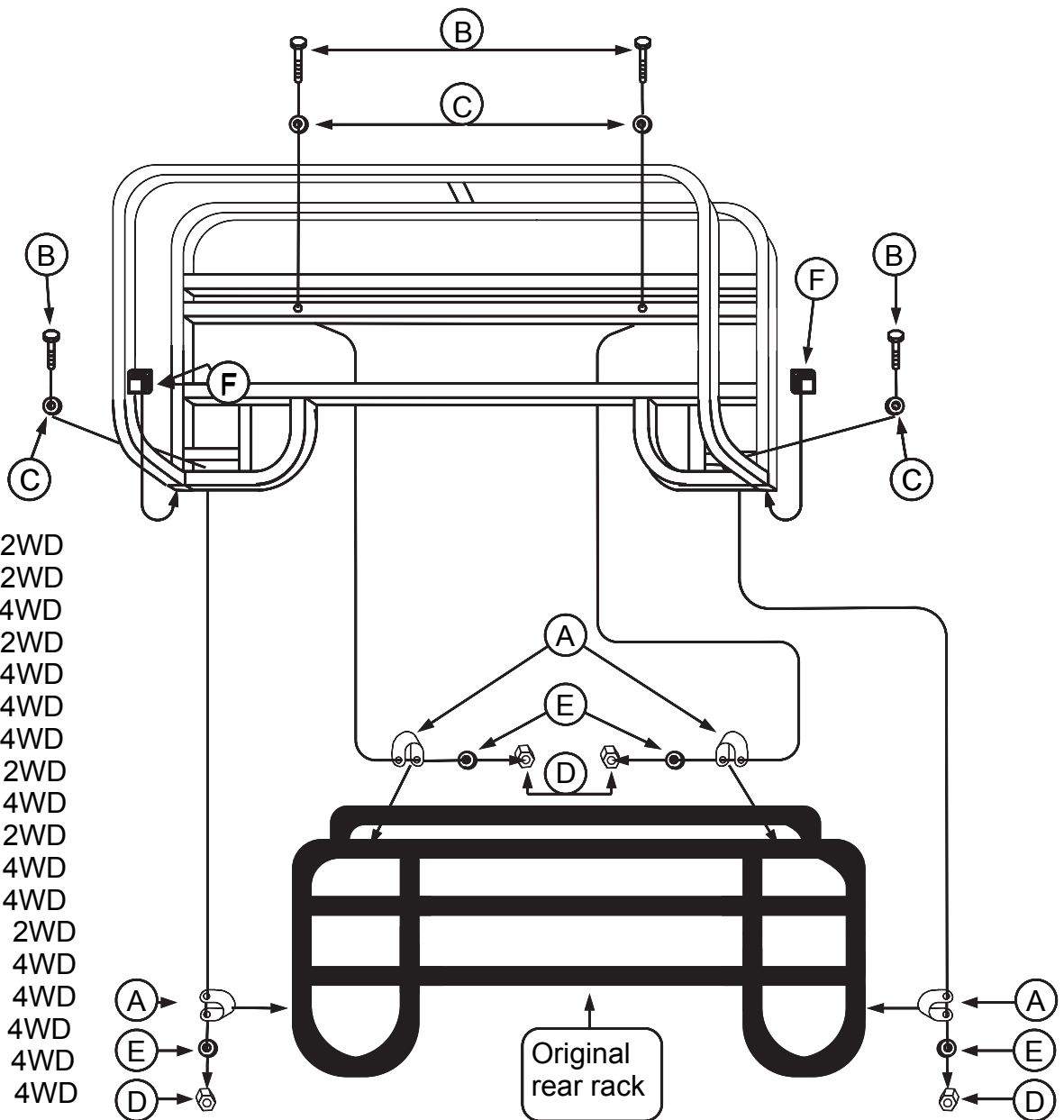


- A = 4 = 3/16 x 1 x 7/8 OVR (Oval Slot)
- B = 4 = 5/16 x 3 Bolts
- C = 4 = 5/16 Large flat washers
- D = 4 = 5/16 Lock nut
- F = 2 = 1" Plug
- E = 4 = 5/16 SMALL FLAT WASHERS

#540



- ARTIC CAT 250 2WD
- ARTIC CAT 300 2WD
- ARTIA CAT 300 4WD
- ARTIC CAT 400 2WD
- ARTIC CAT 400 4WD
- ARTIC CAT 454 4WD
- ARTIC CAT 500 4WD
- YAM BIG B. 350 2WD
- YAM BIG B. 350 4WD
- YAM KODIAK 2WD
- YAM KODIAK 4WD
- YAM GRIZ. 600 4WD
- KAW BAY. 300 2WD
- KAW BAY. 300 4WD
- KAW BAY. 400 4WD
- HONDA FO.400 4WD
- HONDA 450S 4WD
- HONDA 450ES 4WD