

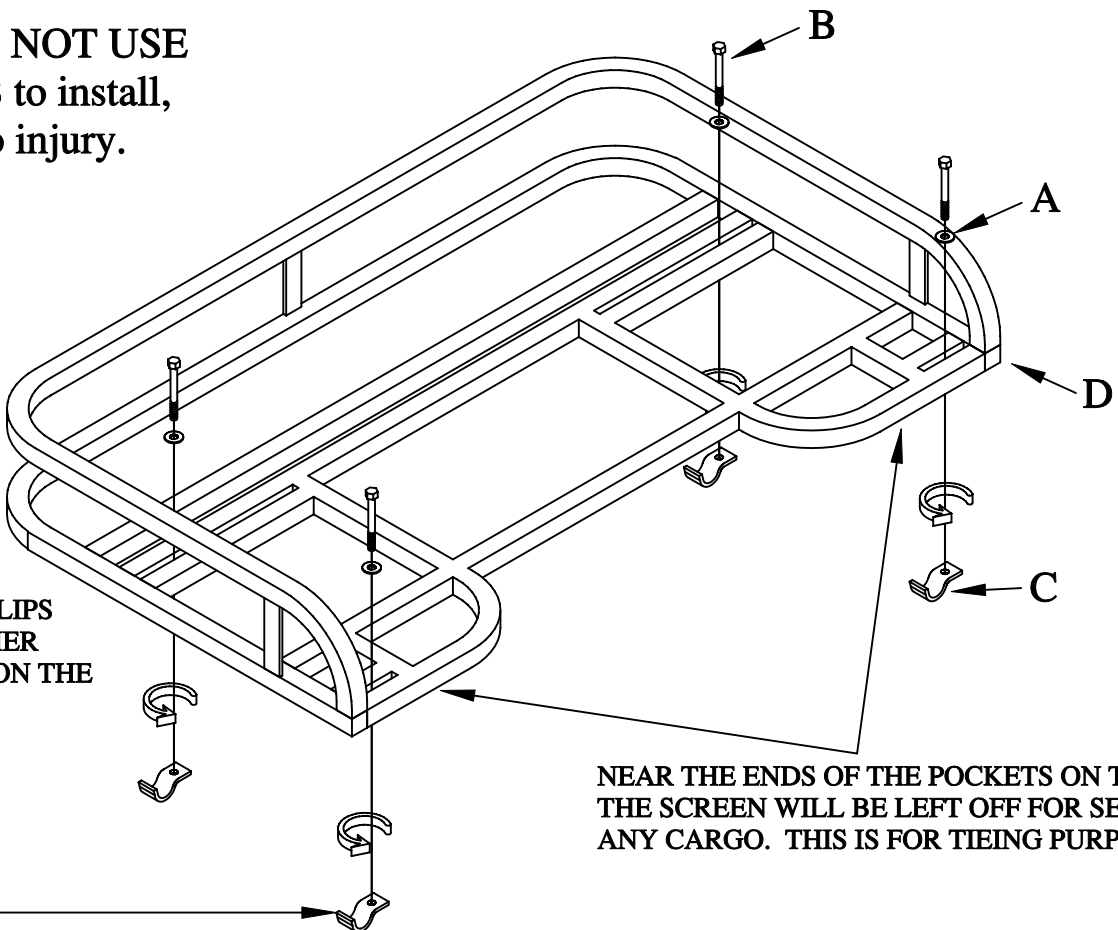
- A - 4= Gr. 8 (gold) 5/16 USS WASHERS
- B - 4= 5/16 X 2 BOLTS
- C - 4= 3/16 X 1 X 7/8 QUICK CLIP
- D - 2=1" PLUGS



INTRODUCING THE NEW RACK DESIGN #550. NO MORE HOLES TO BE MISSED PUNCHED. SIMPLY BOLT THROUGH THE SLOTS THAT ARE SUPPLIED.

THE ULTIMATE IN RACK DESIGN !!!  
 MORE COVERAGE BEHIND SEAT.  
**UNIVERSAL # 550**  
**REAR FLAT RACK**

**Caution: DO NOT USE AIR TOOLS** to install, may result to injury.



THE NEW QUICK CLIPS WILL FASTEN EITHER WAY DEPENDING ON THE ATV.

NEAR THE ENDS OF THE POCKETS ON THE RACKS THE SCREEN WILL BE LEFT OFF FOR SECURING ANY CARGO. THIS IS FOR TIEING PURPOSES.

- |                         |                            |                            |
|-------------------------|----------------------------|----------------------------|
| ARCTIC CAT 250 2X4      | HONDA 350ES 4X4            | SUZUKI QUAD MASTER 500 4X4 |
| ARCTIC CAT 250 4X4      | HONDA 400 4X4              | YAMAHA BIG BEAR 400 2X4    |
| ARCTIC CAT 300 2X4      | HONDA 450S 4X4             | YAMAHA BIG BEAR 400 4X4    |
| ARCTIC CAT 300 4X4      | HONDA 450ES 4X4            | YAMAHA KODIAK 400 4X4      |
| ARCTIC CAT 400 2X4      | HONDA 500 RUB. 4X4         | YAMAHA GRIZZLY 600 4X4     |
| ARCTIC CAT 400 4X4      | KAWASAKI 300 PRAIRIE 2X4   |                            |
| ARCTIC CAT 500 AUT.4X4  | KAWASAKI 400 PRAIRIE 2X4   | AND MANY MORE.             |
| ARCTIC CAT 500 STAN.4X4 | SUZUKI QUAD RUNNER 250 2X4 |                            |
| HONDA 350S 2X4          | SUZUKI QUAD RUNNER 250 4X4 |                            |
| HONDA 350S 4X4          | SUZUKI KING QUAD 300 4X4   |                            |
| HONDA 350ES 2X4         | SUZUKI QUAD RUNNER 500 4X4 |                            |