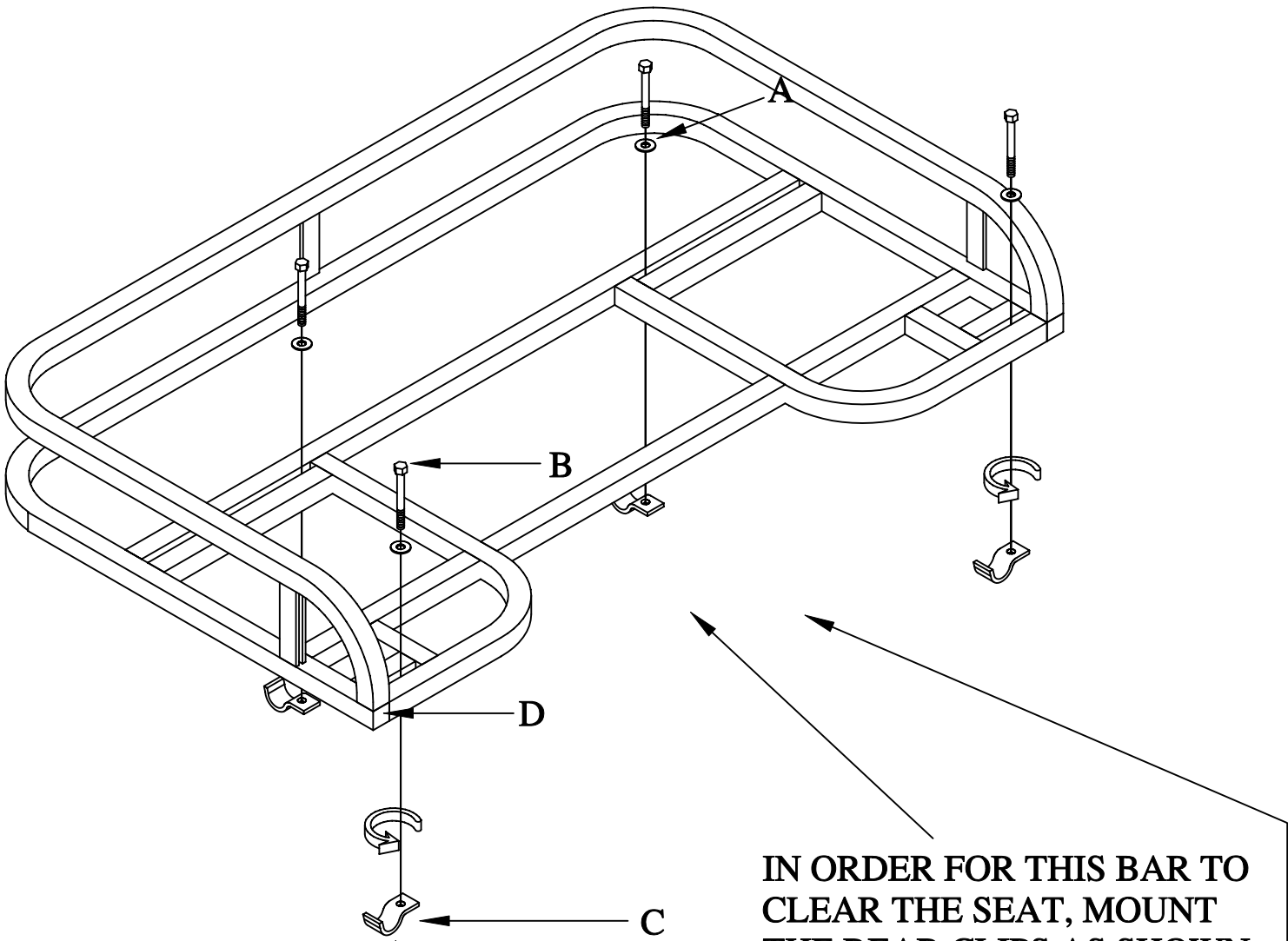


- 4=Gr. 8 (gold) 5/16 USS WASHERS-A
- 4=5/16 X 2 BOLTS -B
- 4=QC101 CLIPS-C
- 2=1" PLUGS-D



# # 556

## HONDA 650 RINCON REAR RACK



MAKE SURE THESE ARE THE 1" RADIUS CLIPS THE NUT WILL BE WELDED ON THE CLIPS SIDWAYS ON THE CLIPS.

IN ORDER FOR THIS BAR TO CLEAR THE SEAT, MOUNT THE REAR CLIPS AS SHOWN IN PICTURE.