

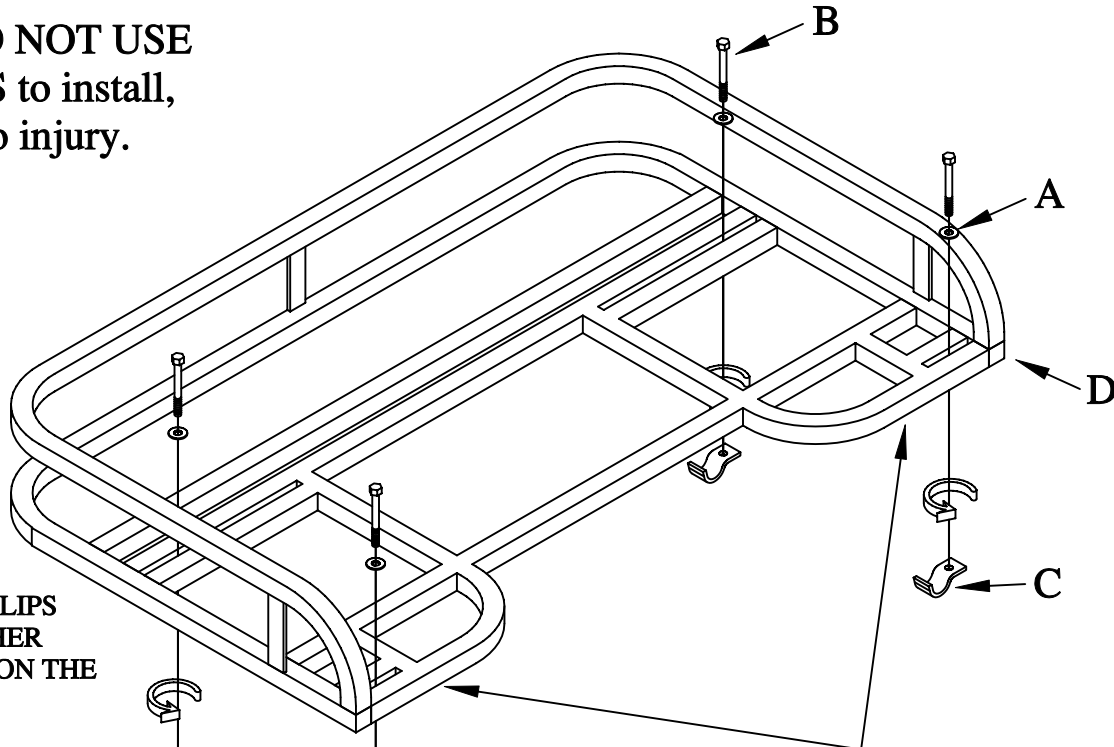


- A - 4= Gr. 8 (gold) 5/16 USS WASHERS
- B - 4= 5/16 X 2 BOLTS
- C - 4=QC101 CLIPS
- D - 2=1" PLUGS

560 HONDA FOREMAN 500 4X4

INTRODUCING THE NEW RACK DESIGN #550. NO MORE HOLES TO BE MISSED PUNCHED. SIMPLY BOLT THROUGH THE SLOTS THAT ARE SUPPLIED.

Caution: DO NOT USE AIR TOOLS to install, may result to injury.



THE NEW QUICK CLIPS WILL FASTEN EITHER WAY DEPENDING ON THE ATV.

NEAR THE ENDS OF THE POCKETS ON THE RACKS THE SCREEN WILL BE LEFT OFF FOR SECURING ANY CARGO. THIS IS FOR TIEING PURPOSES.

THIS CLIP WILL BOLT THROUGH THE FLAG POLE HOLE IN THE REAR OF THE RACK.