

A = 4 = 5/16 x 3 Bolts

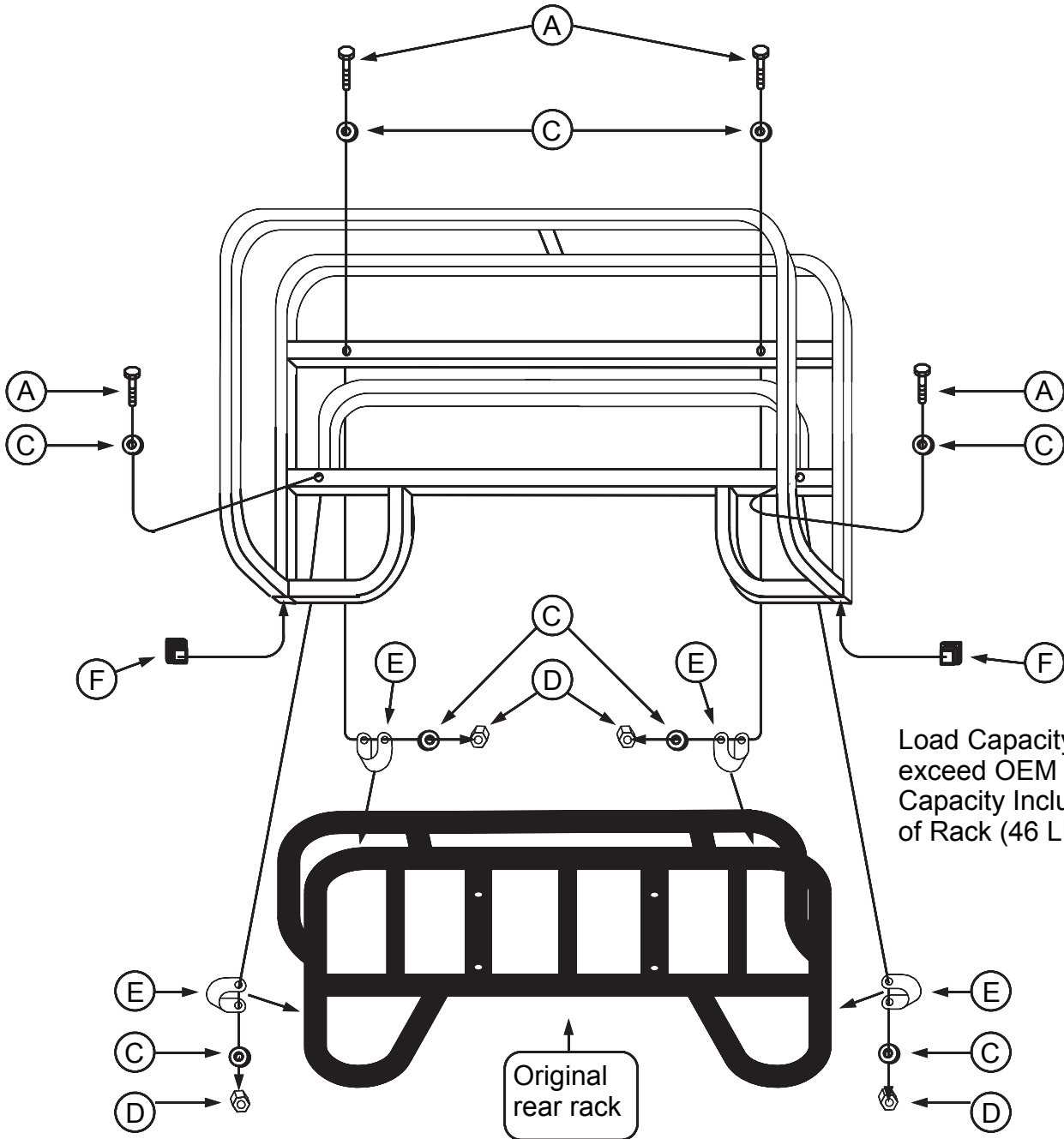
C = 8 = 5/16 SAE.(Small) Flat Washers

D = 4 = 5/16 Lock nut

E = 4 = 3/16 x 1 x 7/8 OVR Clip (oval slot clip)

F = 4 = 1" Plug

#518L



Load Capacity - Do not exceed OEM Cargo Weight Capacity Including Weight of Rack (46 LBS.)